

7 Parts

- [Accessories and ordering information](#)
- [Supplies](#)
- [Memory](#)
- [Cable and interface accessories](#)
- [Paper-handling accessories](#)
- [Scanner/ADF replacement parts](#)
- [Control-panel bezels](#)
- [Supplementary documentation and support](#)
- [Troubleshooting diagrams](#)
- [How to use the parts lists and diagrams](#)
- [Scanner and ADF assemblies](#)
- [Scanner components](#)
- [ADF components](#)
- [Convenience stapler components \(HP LJ 3392 only\)](#)
- [Formatter, LIU, HP jewel, and nameplate](#)
- [External covers and panels](#)
- [Internal components \(1 of 4\)](#)
- [Internal components \(2 of 4\)](#)
- [Internal components \(3 of 4\)](#)
- [Internal components \(4 of 4\)](#)
- [Engine-controller assembly](#)
- [Main-drive assembly](#)
- [Duplexing-drive assembly](#)
- [Tray 2 cassette and tray 3 cassette/feeder](#)
- [Duplexing assembly](#)

- [Fuser assembly](#)
- [Alphabetical parts list](#)
- [Numerical parts list](#)

Accessories and ordering information

Order replacement parts from the following Web sites:

- HP Parts Store: www.hp.com/buy/parts
- Partsurfer: www.partsurfer.hp.com
- HP Parts Portal: www.hp.com/go/HPparts

Order supplies from the following Web sites:

- North America: <http://www.hp.com/go/ordersupplies-na>
- Europe and Middle East: <http://www.hp.com/go/ordersupplies-emea>
- Asia Pacific countries/regions: <http://www.hp.com/go/ordersupplies-ap>
- Latin America: <http://www.hp.com/go/ordersupplies-la>

Supplies

Item	Description	Part number
Black print cartridge	Average yield for the standard print cartridge is approximately 2,500 pages.	Q5949A (standard)
	Average yield for the standard print cartridge is approximately 6,000 pages Actual yield depends on use.	Q5949X (high capacity)
Staple cassette (2 pack)	1,500-staple capacity each	Q7432A (retail)
		Q7432-67001 (service)
Pickup roller	Tray 2 and optional tray 3	RL1-0540-00CN
Separation pad	Tray 2 and optional tray 3	RM1-1292-000CN

Memory

Item	Description	Part number
Memory upgrades (DIMMs)	The standard 96 MB of memory in the all-in-one can be expanded to up to 224 MB using the additional DIMM slot.	C7845A
	32 MB	
Memory upgrades (DIMMs)	64 MB	Q1887A
Memory upgrades (DIMMs)	128 MB	C9121A

Cable and interface accessories

Item	Description	Part number
USB cable	2-meter (6.56 feet) standard USB-compatible device connector	C6518A
Fax cord	Two-wire phone cord adapter.	8121-0811
Fax dongle	Two-wire to four-wire adapter (US)	Q3093-80004
Power cord	1.8 meter (6 feet) US/Canada	8120-8382
Power cord	1.8 meter (6 feet) Europe	8121-0516
Power cord	1.8 meter (6 feet) Switzerland	8121-0519
Power cord	1.8 meter (6 feet) United Kingdom	8121-0517
Power cord	1.8 meter (6 feet) Danish	8121-0518
Power cord	1.8 meter (6 feet) South America	8121-0520
Power cord	1.8 meter (6 feet) Israel	8121-0521

Paper-handling accessories

Item	Description	Part number
Optional tray 3 cassette/feeder	250-sheet input tray/feeder for standard sizes. Only one optional 250-sheet tray can be installed.	Q7556A (new)
		Q7556-67901 (service)
Tray 2 cassette	250-sheet input tray for standard sizes.	RM1-1292-000CN
Staple cassette (2 pack)	1,500-staple capacity each	Q7432A (retail)
		Q7432-67001 (service)

Scanner/ADF replacement parts

Item	Part number
PKG FGI ASSY LJ3390/3392 SSA (scanner assembly)	Q6500-67902
PKG FGI ASSY LJ3390/3392 ADF (ADF assembly)	Q6500-67903
LJ3390/3392 ADF cover replacement kit	Q6500-67901
ADF flag replacement kit	Q3948-67902
LJ3390/3392 input tray assembly	Q6500-60119
Clean out ADF	C7309-40153
ADF pick roller assembly	5851-2559
ADF separation pad	Q2665-60125
ADF assembly hinge replacement kit	Q3948-67905
LJ 3390/3392 ADF window replacement kit	Q6500-67904

Control-panel bezels

Table 7-1 Control-panel bezels

Item	Language	Part number
Control-panel bezel	English	Q6500-40006
Control-panel bezel	French	Q6500-40010
Control-panel bezel	German	Q6500-40009
Control-panel bezel	German (unpainted)	Q6500-40031
Control-panel bezel	Italian	Q6500-40012
Control-panel bezel	Spanish	Q6500-40007
Control-panel bezel	Danish	Q6500-40016
Control-panel bezel	Dutch	Q6500-40011
Control-panel bezel	Finnish	Q6500-40015
Control-panel bezel	Norwegian	Q6500-40014
Control-panel bezel	Portuguese	Q6500-40008
Control-panel bezel	Swedish	Q6500-40013
Control-panel bezel	Czech	Q6500-40018
Control-panel bezel	Hungarian	Q6500-40019
Control-panel bezel	Polish	Q6500-40020
Control-panel bezel	Russian	Q6500-40017
Control-panel bezel	Slovak	Q6500-40021
Control-panel bezel	Turkish	Q6500-40022
Control-panel bezel	Arabic	Q6500-40025
Control-panel bezel	Greek	Q6500-40023
Control-panel bezel	Hebrew	Q6500-40024
Control-panel bezel	Korean	Q6500-40027
Control-panel bezel	Simplified Chinese	Q6500-40028
Control-panel bezel	Traditional Chinese	Q6500-40026
Control-panel bezel	Thai	Q6500-40029
Control-panel bezel	Vietnamese	Q6500-40030

Supplementary documentation and support

Table 7-2 Service and training support

Item	Part number
Service manual (this manual)	Q6500–90901
Service, support, and training CD	Q6500–60129

A printed copy of the user guide is available in the following languages.

Table 7-3 User guides

Language	Part number
English	Q6500–90929
Chinese, simplified	Q6500–90939
Czech	Q6500–90930
Dutch	Q6500–90931
French	Q6500–90932
German	Q6500–90933
Hungarian	Q6500–90934
Italian	Q6500–90935
Korean	Q6500–90936
Polish	Q6500–90937
Portuguese	Q6500–90945
Russian	Q6500–90938
Spanish, Castilian	Q6500–90940
Swedish	Q6500–90941
Thai	Q6500–90943
Traditional Chinese	Q6500–90942
Turkish	Q6500–90944

A printed copy of the getting started guide is available in the following languages.

Table 7-4 Getting started guide

Language	Part number
Arabic	Q6500–90905
Bulgarian	Q6500–90907
Chinese, simplified	Q6500–90908

Table 7-4 Getting started guide (continued)

Language	Part number
Croatian	Q6500–90907
Czech	Q6500–90906
Danish	Q6500–90904
Dutch	Q6500–90903
English	Q6500–90903, Q6500–90904, Q6500–90905, Q6500–90906, Q6500–90907, Q6500–90908,
English only	Q6500–90902
Estonian	Q6500–90905
Finnish	Q6500–90904
French	Q6500–90903
German	Q6500–90903
Greek	Q6500–90904
Hebrew	Q6500–90904
Hungarian	Q6500–90906
Italian	Q6500–90903
Kazakh	Q6500–90905
Korean	Q6500–90908
Latvian	Q6500–90905
Lithuanian	Q6500–90905
Norwegian	Q6500–90904
Polish	Q6500–90906
Portuguese	Q6500–90903
Romanian	Q6500–90907
Russian	Q6500–90905
Slovak	Q6500–90906
Slovenian	Q6500–90907
Spanish	Q6500–90903
Swedish	Q6500–90904
Thai	Q6500–90908
Traditional Chinese	Q6500–90908
Turkish	Q6500–90907

Table 7-5 Technical support Web sites

HP Customer Care Online	www.hp.com/support/lj3390
--------------------------------	--

Table 7-5 Technical support Web sites (continued)

Software drivers, support documentation, and answers to frequently asked questions	www.hp.com/support/lj3392
HP Technical Training (North America)	www.hp.com/go/resellertraining
Classes and schedules	

Troubleshooting diagrams

- [Repetitive image defects](#)
- [Interface connectors](#)
- [Formatter connectors](#)
- [Line interface unit \(LIU\)](#)
- [Solenoids](#)
- [Switches and sensors](#)
- [Rollers and pads](#)
- [PCAs \(base unit\)](#)
- [Major components \(base unit\)](#)
- [Scanner and ADF](#)
- [Circuit diagram](#)

Repetitive image defects

If the all-in-one output has a consistent, repetitive defect, then use [Table 7-6 Repetitive image defects on page 266](#) to determine which part needs to be replaced based on the measured distance between the repetitions of the defect.



NOTE The following table replaces the graphical repetitive defect ruler. You can make your own ruler by using these measurements.

Table 7-6 Repetitive image defects

Distance between identical defects	Dirty or damaged roller	Solution
37.7 mm (1.48 inches)	Primary charging roller	Replace the print cartridge.
43.0 mm (1.69 inches)	Registration roller	Replace the registration assembly (see Registration-roller assembly on page 172).
44.0 mm (1.73 inches)	Developing cylinder	Replace the print cartridge.
46.2 mm (1.82 inches)	Transfer roller	Replace the transfer roller.
56.5 mm (2.22 inches)	Fuser film	Replace the fuser (see Fuser on page 152).
69.0 mm (2.72 inches)	Pressure roller	Replace the fuser (see Fuser on page 152).
75.4 mm (2.97 inches)	Photosensitive drum	Replace the print cartridge.

Interface connectors

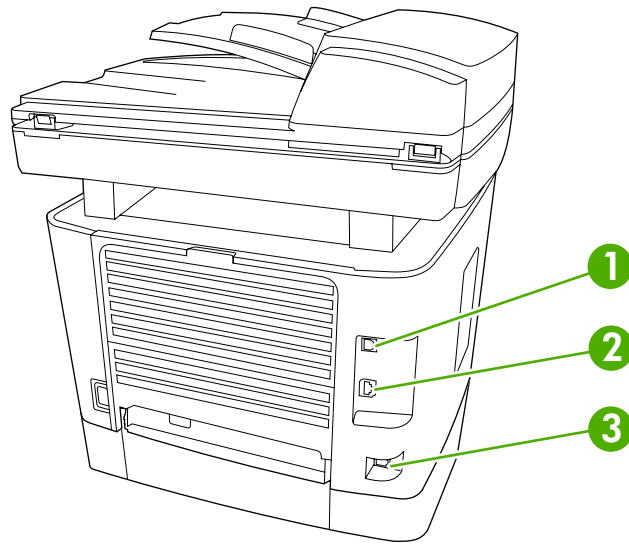


Figure 7-1 Interface connectors

1	Hi-speed USB 2.0 port
2	Network port
3	Fax ports

Formatter connectors

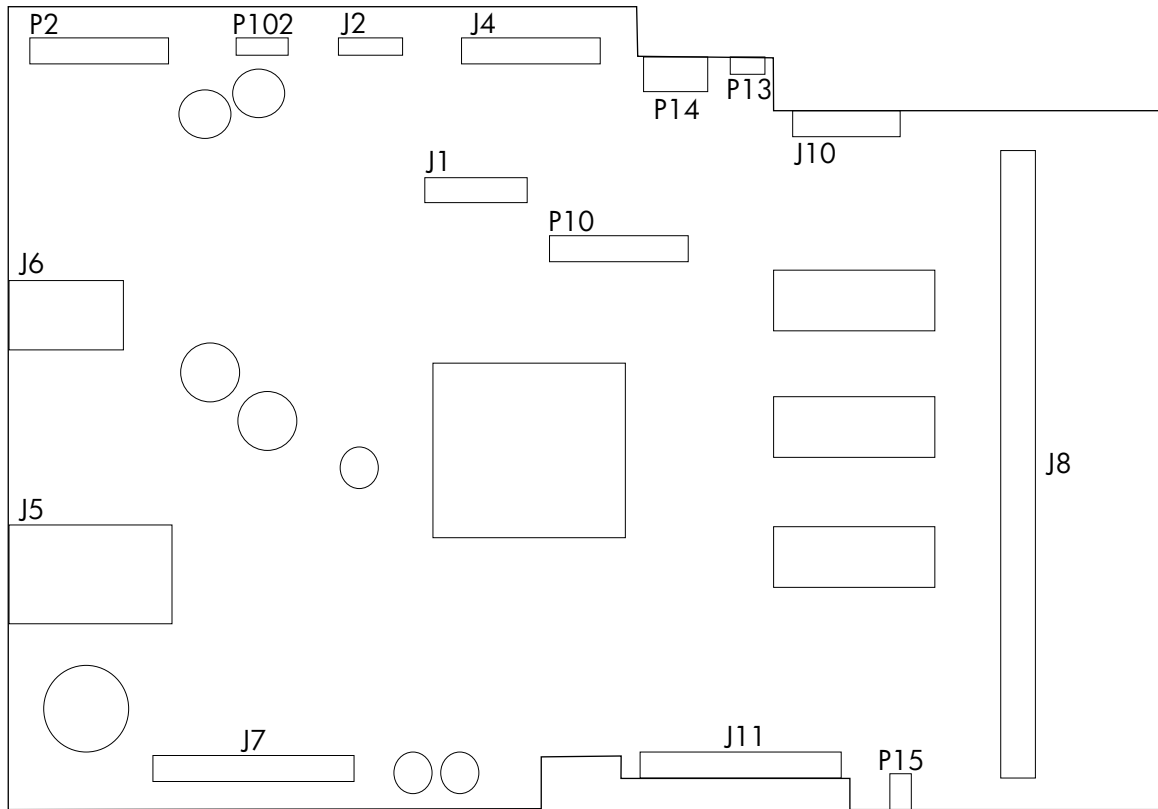


Figure 7-2 Formatter connectors

Item	Description
P2	ADF motor
P102	Not used
J2	Flatbed motor
J4	Scanner
P14	Laser/scanner motor
P13	Memory tag reader
J10	Laser/scanner
P10	Not used
J1	Control panel
J8	DIMM
P15	Speaker
J11	ECU
J7	Line interface unit (LIU)
J5	Network port
J6	Hi-speed USB 2.0 port

Line interface unit (LIU)

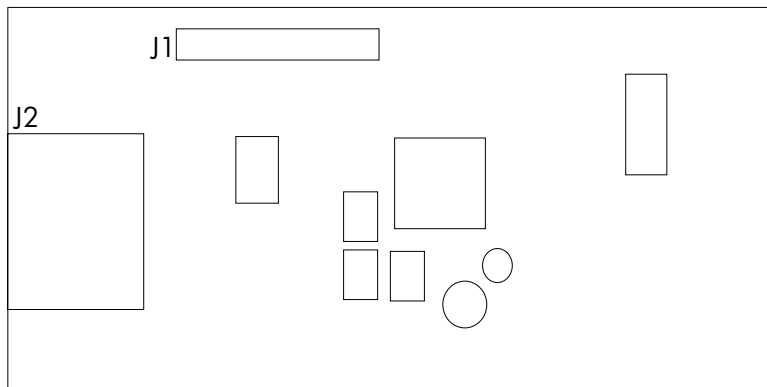


Figure 7-3 LIU connectors

Item	Description
J1	Formatter
J2	Fax ports

Solenoids

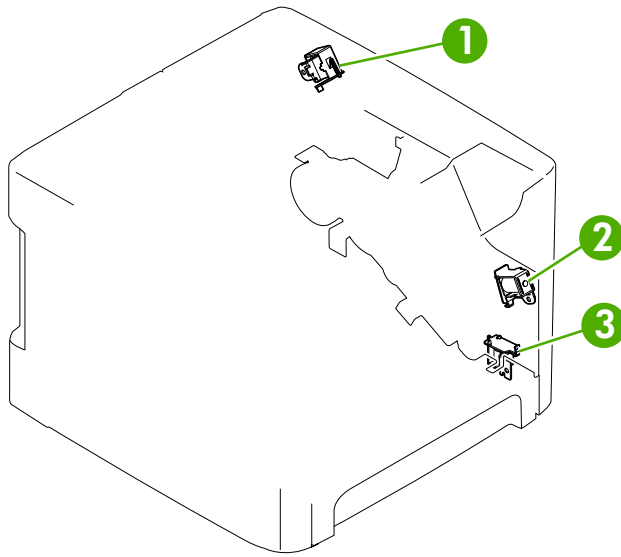


Figure 7-4 Solenoids

Item	Description
1	Duplex solenoid
2	Priority input slot (tray 1) pickup solenoid
3	Tray 2 pickup solenoid

Switches and sensors

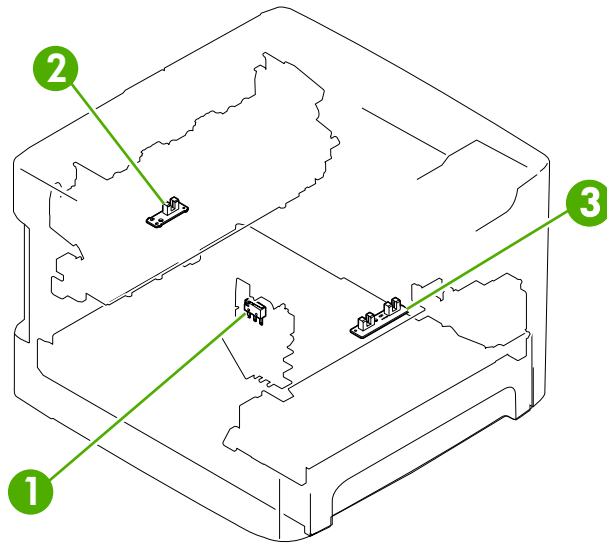


Figure 7-5 Switches and sensors

Item	Description
1	Interlock switch
2	Delivery sensor
3	Top-of-page sensor

Rollers and pads

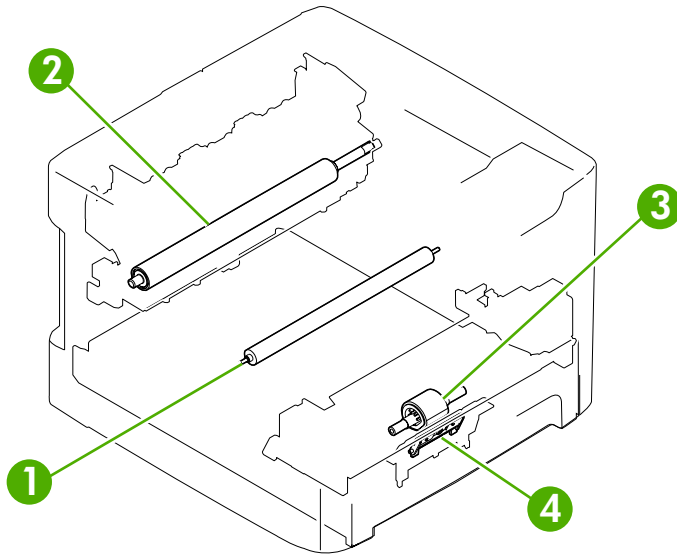


Figure 7-6 Rollers and pads

Item	Description
1	Transfer roller
2	Pressure roller
3	Pickup roller
4	Separation pad

PCAs (base unit)

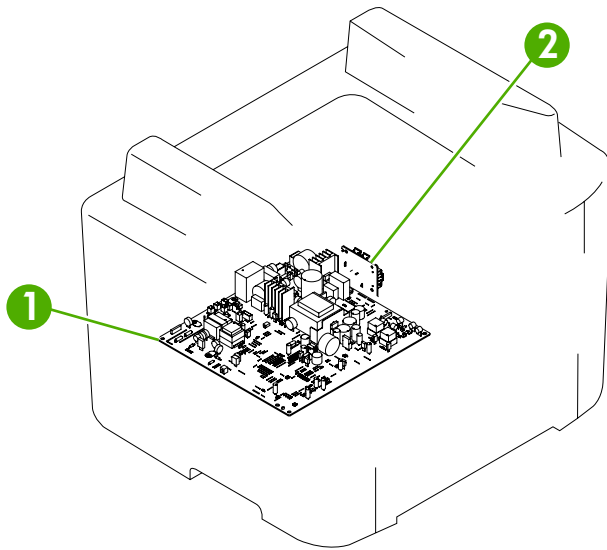


Figure 7-7 PCAs (base unit)

Item	Description
1	Engine-controller assembly (ECU)
2	Power-switch PCA

Major components (base unit)

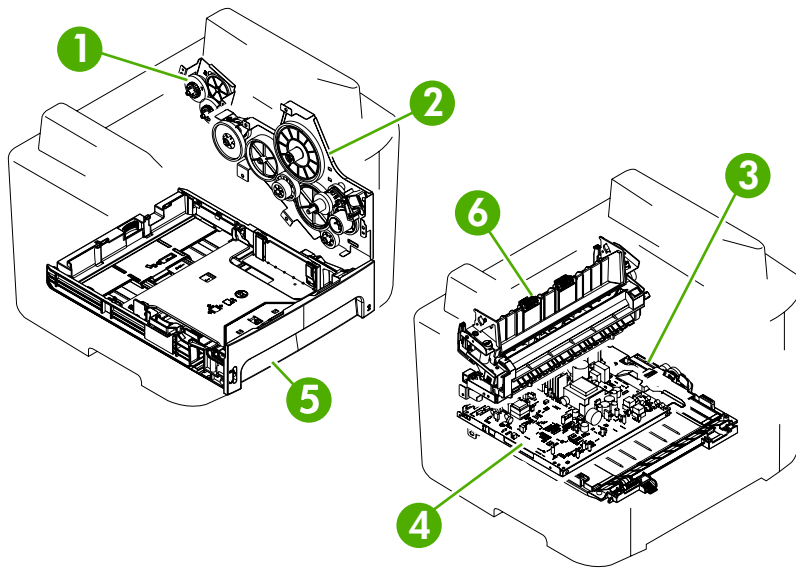


Figure 7-8 Major components (base unit)

Item	Description
1	Duplex-drive gears
2	Main drive assembly
3	Duplex-drive assembly
4	Engine-controller assembly (ECU)
5	Tray 2 cassette
6	Fuser

Scanner and ADF

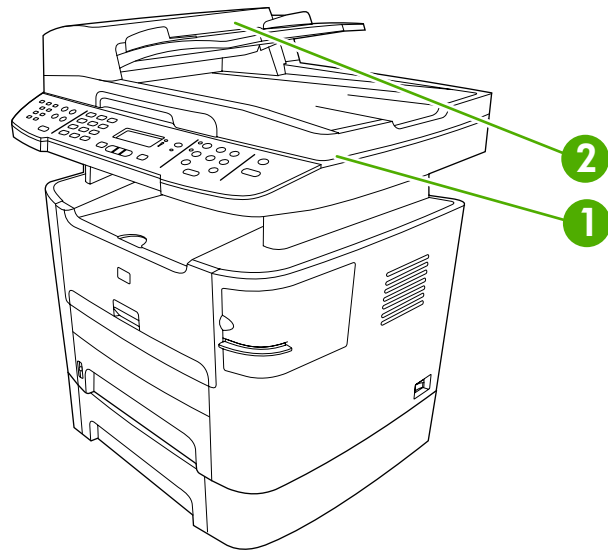


Figure 7-9 Scanner and ADF

Item	Description
1	Scanner
2	ADF

Circuit diagram

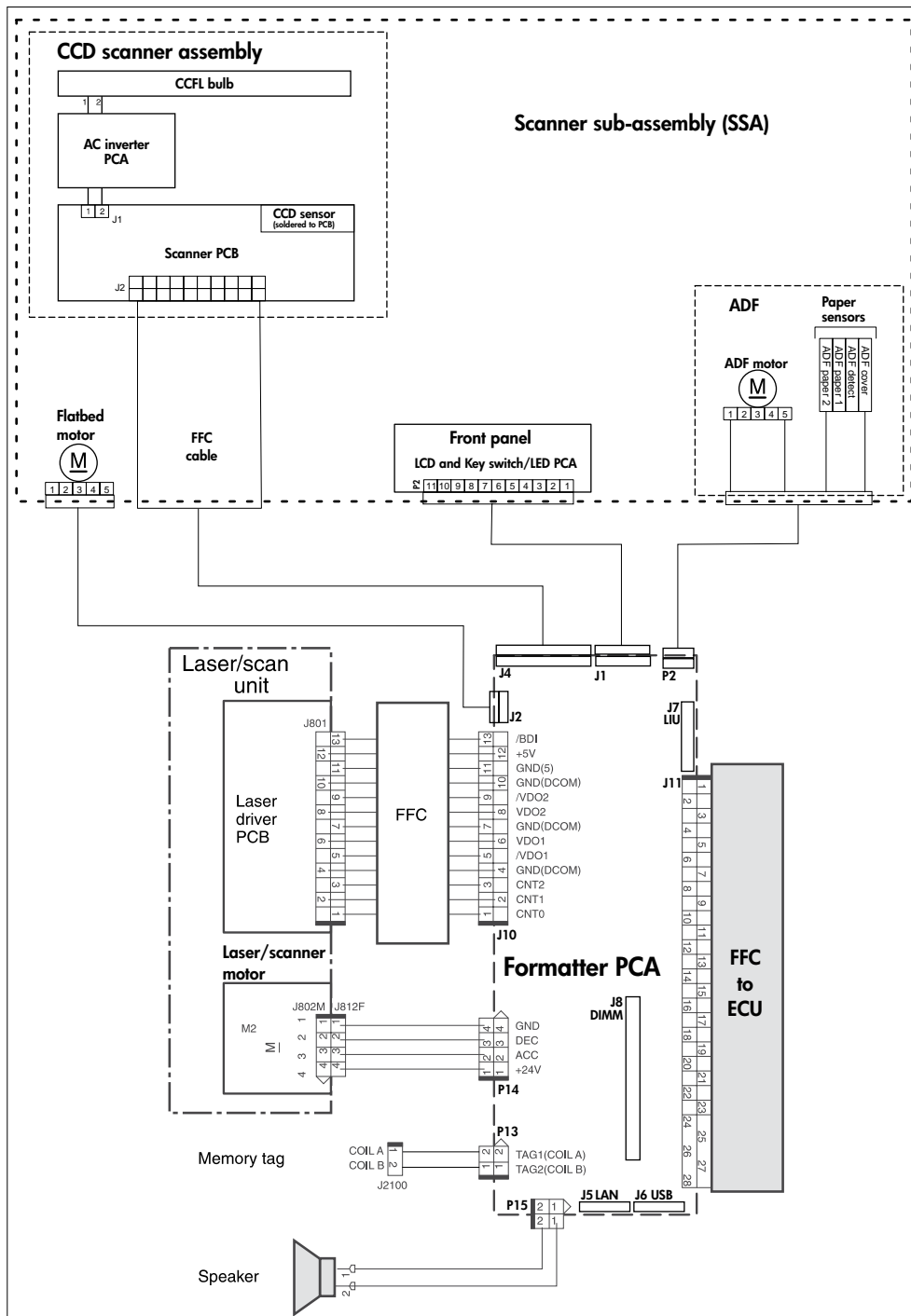


Figure 7-10 Circuit diagram (1 of 2)

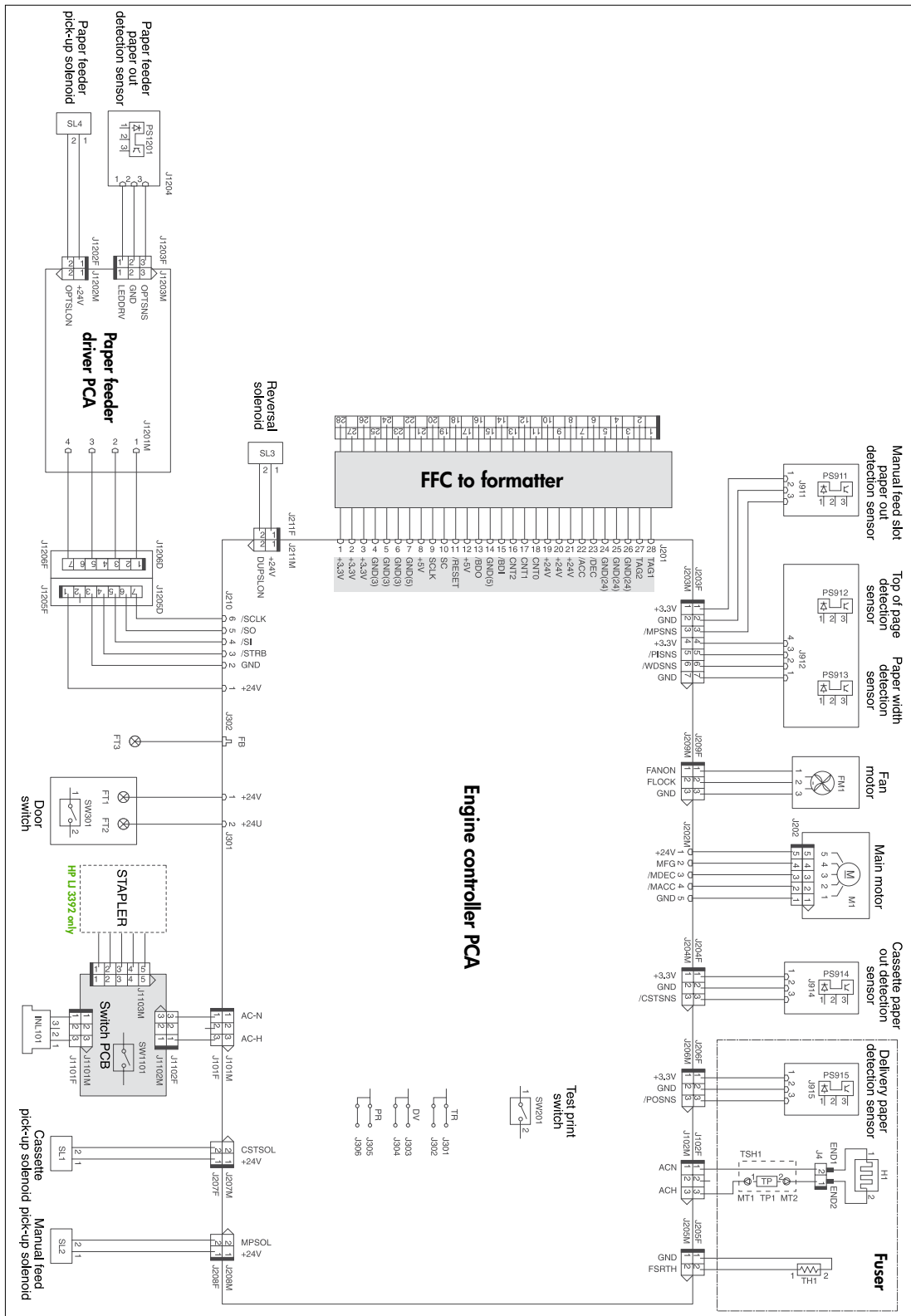


Figure 7-11 Circuit diagram (2 of 2)

How to use the parts lists and diagrams

The figures in this chapter show the major subassemblies in the all-in-one and their component parts. A parts list table follows each exploded view assembly diagram. Each table lists the item number, the associated part number, and the description of each part. If a part is not listed in the table, then it is not a field replacement unit (FRU).


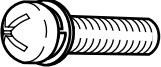

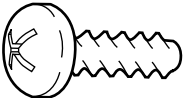


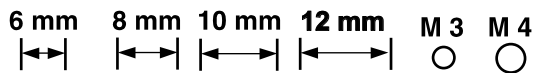
CAUTION Be sure to order the correct part. When looking for part numbers for electrical components, pay careful attention to the voltage that is listed in the description column to ensure that the part number selected is for the correct all-in-one model.



NOTE In this manual, the abbreviation “PCA” stands for “printed circuit board assembly.” components described as a PCA might consist of a single circuit board or a circuit board plus other parts, such as cables and sensors.

Types of screws

Illustration	Description	Size	Part Number	Use
	Screw, RS	M3X6	XA9-1495-000CN	Used to secure metal to metal
		M4X12	XA9-0722-000CN	
	Screw w/washer	M3X8	XA9-1420-000CN	Used to secure metal components to metal components (for example, a ground wire to the frame)
	Screw, tapping	M3X6	XB9-1503-000CN	Used to secure anything to plastic
	Screw, tapping, truss head	M4X10	XB4-7401-000CN	Used to secure anything to plastic



Scanner and ADF assemblies

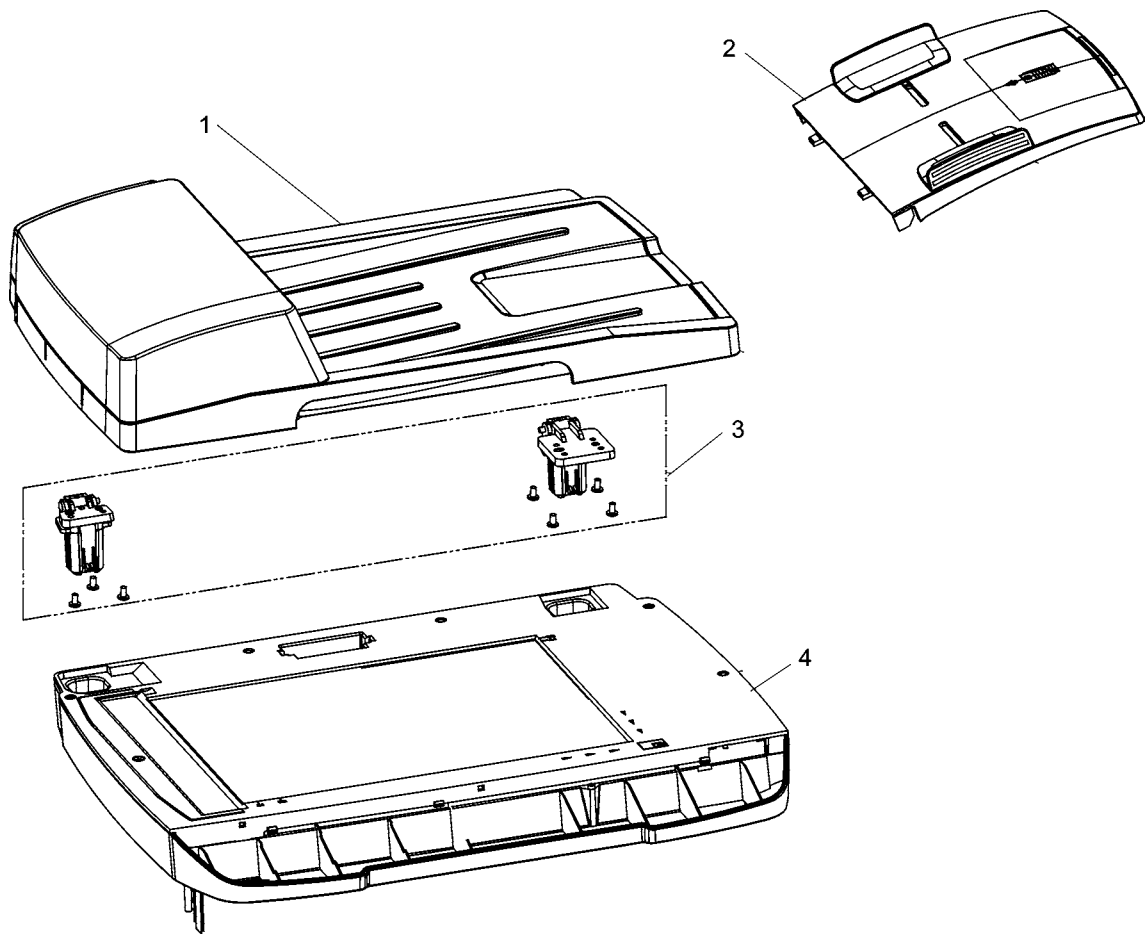


Figure 7-12 Scanner and ADF assemblies

Table 7-7 Scanner and ADF assemblies

Ref	Description	Part number	Qty
1	ADF PKG FGI ASSY (automatic document feeder)	Q6500-67903	1
2	Input tray assembly LJ3390/3392	Q6500-60119	1
3	ADF hinge replacement kit	Q3948-67905	1
4	SSA PKG FGI ASSY (scanner flatbed assembly)	Q3948-67905	1

Scanner components

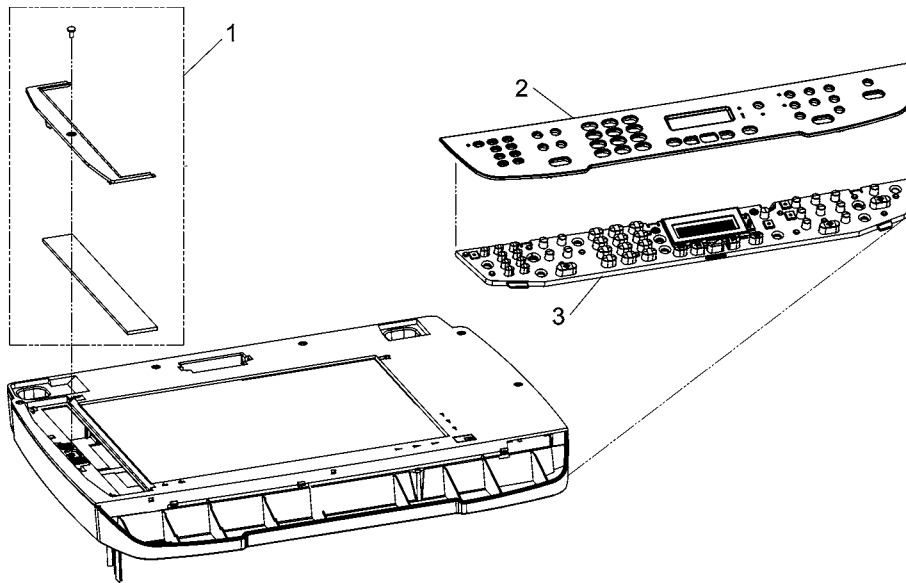


Figure 7-13 Scanner assemblies

Table 7-8 Scanner components

Ref	Description	Part number	Qty
1	ADF window replacement kit (HP LJ 3390/3392)	Q6500-67904	1
2	Bezel, control panel	See Control-panel bezels on page 262 .	1
3	Control panel	Q6500-60104	1

ADF components

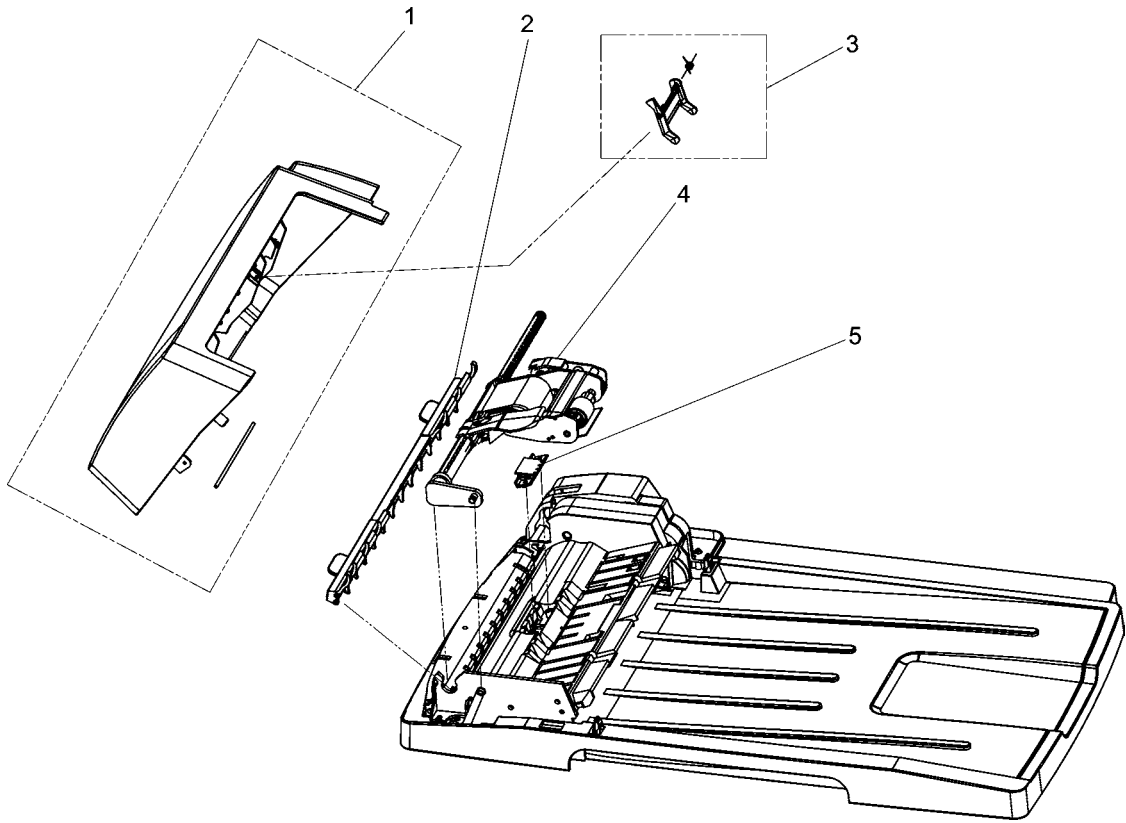


Figure 7-14 ADF components

Table 7-9 ADF components

Ref	Description	Part number	Qty
1	ADF cover replacement kit	Q6500-67901	1
2	ADF cleanout part	C7309-40153	1
3	ADF flag replacement kit	Q3948-67902	1
4	ADF pickup roller assembly	5851-2559	1
5	ADF separation pad	Q2665-60125	1

Convenience stapler components (HP LJ 3392 only)

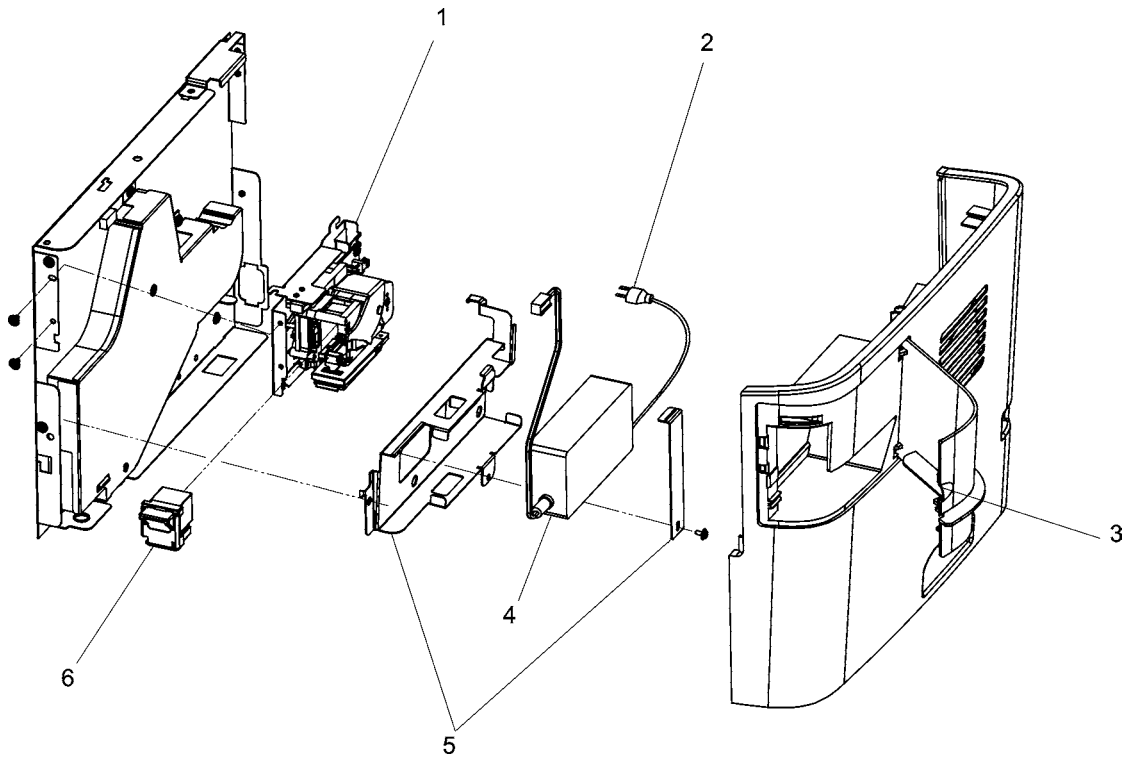


Figure 7-15 Convenience stapler components (HP LJ 3392 only)

Table 7-10 Convenience stapler components (HP LJ 3392 only)

Ref	Description	Part number	Qty
1	Convenience stapler mechanism HP LJ 3392 (replacement)	Q7429-67101	1
2	Convenience stapler ac inlet cable HP LJ 3392	Q6501-60101	1
3	Convenience stapler cover door HP LJ 3392	RC1-7523-000CN	1
4	Convenience stapler power supply HP LJ 3392	Q7429-60501	1
5	Convenience stapler power supply bracket and strap HP LJ 3392	Q6500-00006	1
6	Convenience stapler cassette (2-pack) HP LJ3392	Q7432-67001	1

Formatter, LIU, HP jewel, and nameplate

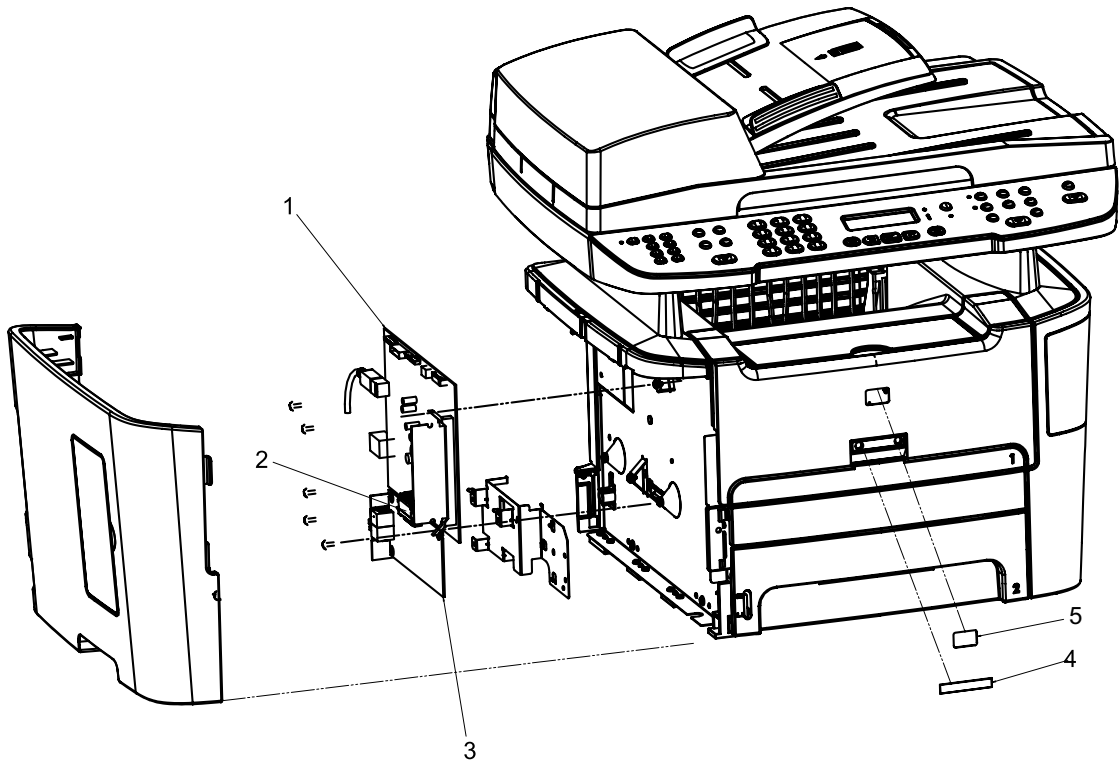


Figure 7-16 Formatter, LIU, HP jewel, and nameplate

Table 7-11 Formatter, LIU, HP jewel, and nameplate

Ref	Description	Part number	Qty
1	Formatter PCA	Q6445-60001	1
2	LIU/Formatter FFC	Q6500-60111	1
3	LIU (line interface unit) US/WW non ROHS	Q3977-60001	1
3	LIU (line interface unit) EMEA non ROHS	Q3978-60002	1
4	Nameplate HP LJ 3390	Q6500-4000X	1
4	Nameplate HP LJ 3392	Q6501-4000X	1
5	Jewel, HP	7121-8043	1

External covers and panels

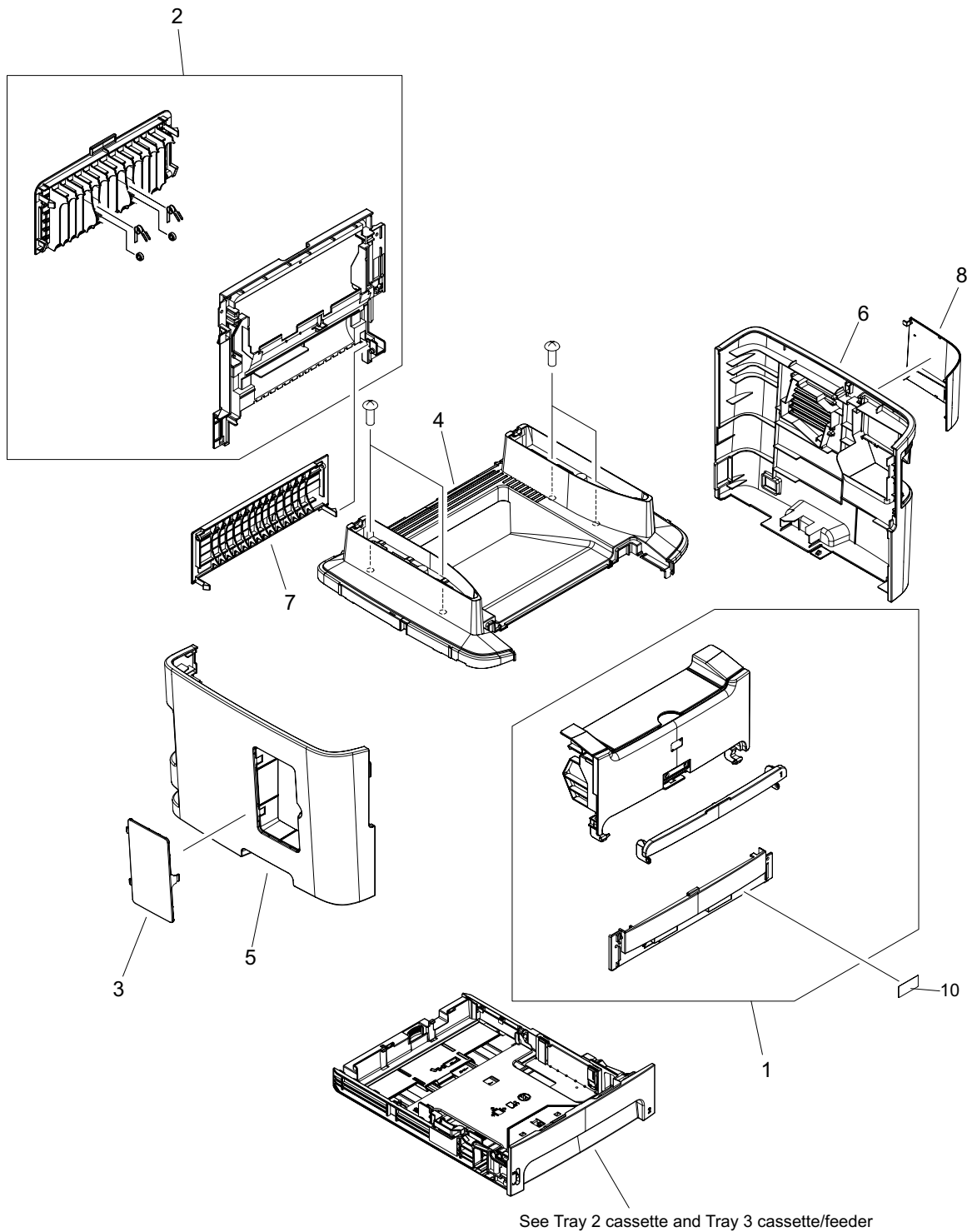


Figure 7-17 External covers and panels

Table 7-12 External covers and panels

Ref	Description	Part number	Qty
1	Front cover assembly	RM1-2643-000CN	1
2	Rear cover assembly	RM1-1308-000CN	1
3	Cover DIMM	RC1-7510-000CN	1
4	Cover top	RC1-7508-000CN	1
5	Cover left	RC1-7509-000CN	1
6	Cover right	RC1-7511-000CN	1
7	Cover rear	RC1-3819-000CN	1
8	Cover dummy (stapler plug; HP LJ 3390))	RC1-7512-000CN	1
10	Label, stapler prohibition	RC1-3794-000CN	1

Internal components (1 of 4)

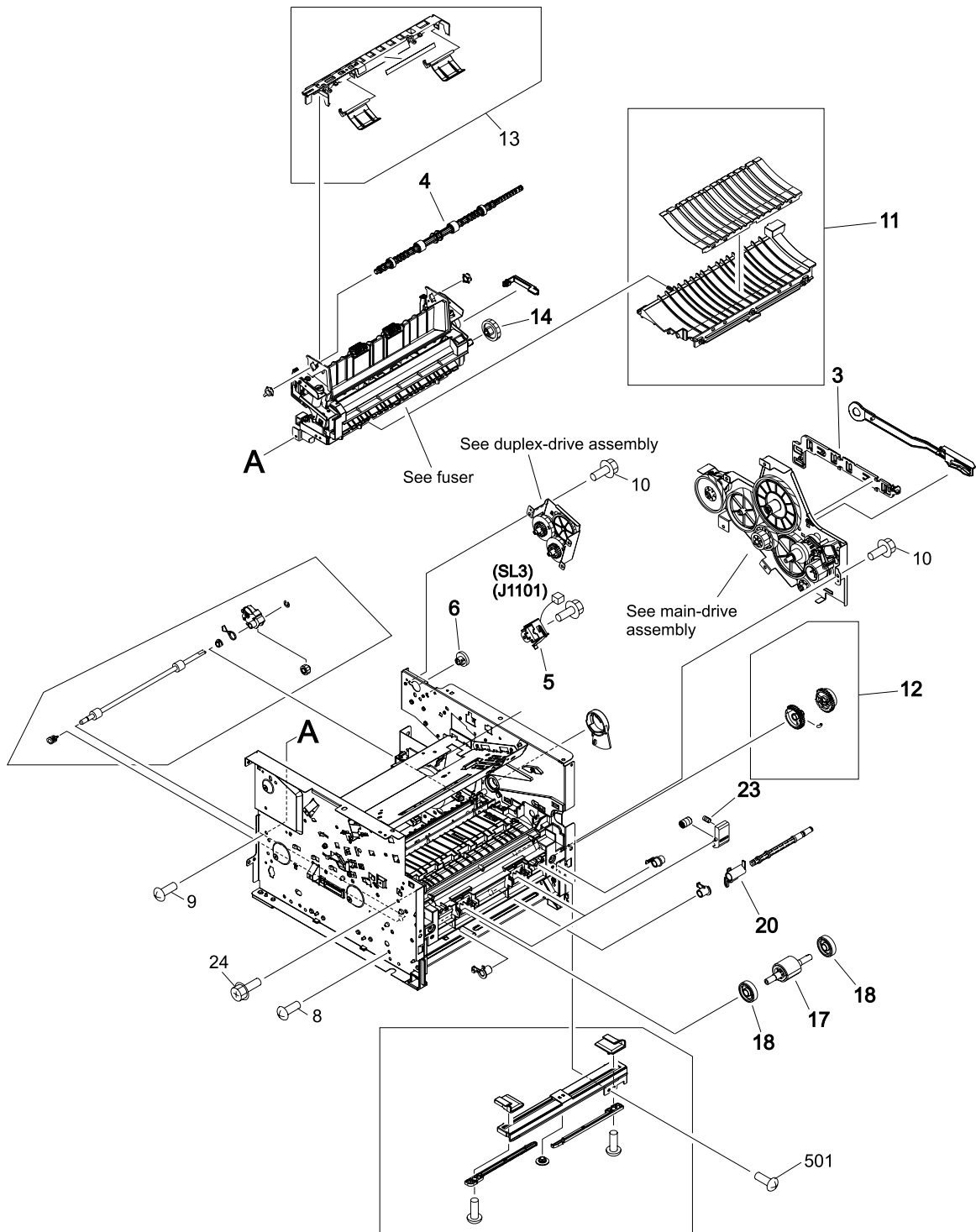


Figure 7-18 Internal components (1 of 4)

Table 7-13 Internal components (1 of 4)

Ref	Description	Part number	Qty
3	Guide, dc cable 2	RC1-3731-000CN	1
4	Roller, face down	RL1-0527-000CN	1
5	Solenoid	RK2-0910-000CN	1
8	Screw, RS 3X6	XA9-1495-000CN	28
9	Screw, Tap 3X6	XA9-1503-000CN	5
10	Screw, RS M3X8	XA9-1504-000CN	7
6	Gear, 19T	RU5-0332-000CN	1
11	Paper-feed guide assembly	RM1-1286-000CN	1
12	Paper-pickup gear assembly	RM1-1301-000CN	1
13	Paper-retaining assembly	RM1-1306-000CN	1
14	Gear, 29T	RM1-1286-000CN	1
17	Roller, paper pickup	RL1-0540-000CN	1
18	Roller, paper-pickup idler	RC1-3470-000CN	2
20	Flag, paper sensing	RC1-3472-000CN	1
23	Spring, compression	RU5-2323-000CN	2
24	Screw, W/Washer M3X8	XB4-5300-805CN	4
501	Screw, Tapping truss head M4X10	XB4-5300-805CN	4

Internal components (2 of 4)

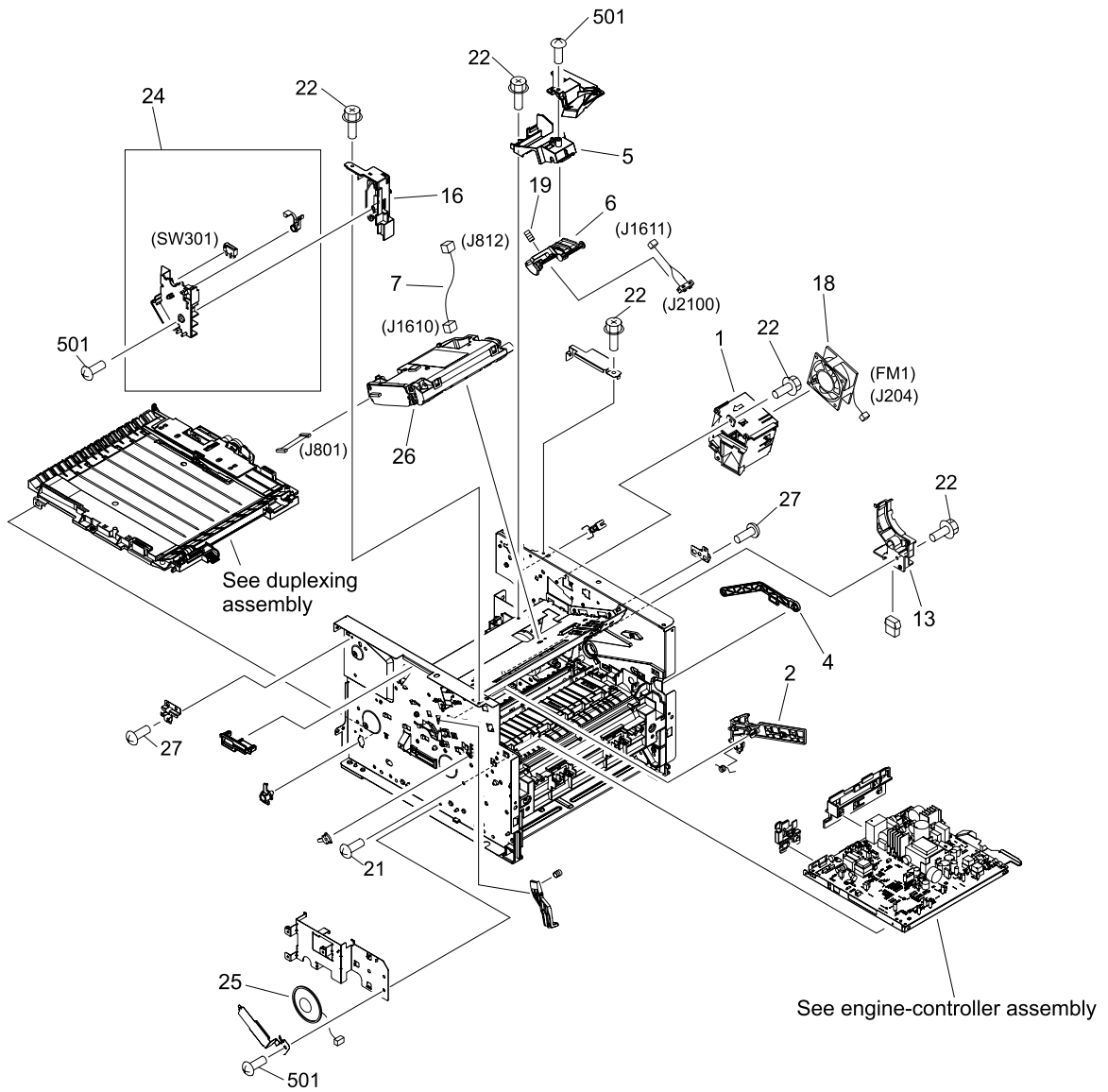


Figure 7-19 Internal components (2 of 4)

Table 7-14 Internal components (2 of 4)

Ref	Description	Part number	Qty
1	Holder, fan	RC1-7514-000CN	1
2	Guide, cartridge, left upper	RC1-3539-000CN	1
4	Arm, cam	RC1-3544-000CN	1
5	Holder, tag arm	RC1-35504-000CN	1
6	Arm, tag	RC1-3551-000CN	1
13	Holder, drawer	RC1-3728-000CN	1
16	Guide, cartridge, front	RC1-3844-000CN	1
18	Fan	RK2-0912-000CN	1
19	Spring, compression	RU5-2335-000CN	1
21	Screw, Tap M3X6	XA9-1503-000CN	4
22	Screw, RS M3X8	XA9-1504-000CN	8
24	Interlock assembly	RM1-2645-000CN	1
25	Speaker assembly	RM1-2571-000CN	1
26	Scanner assembly (laser/scanner)	RM1-1470-000CN	1
27	Screw, RS M3X6	XA9-1495-000CN	2
501	Screw, Tapping truss head M4X10	XB4-7401-005CN	17

Internal components (3 of 4)

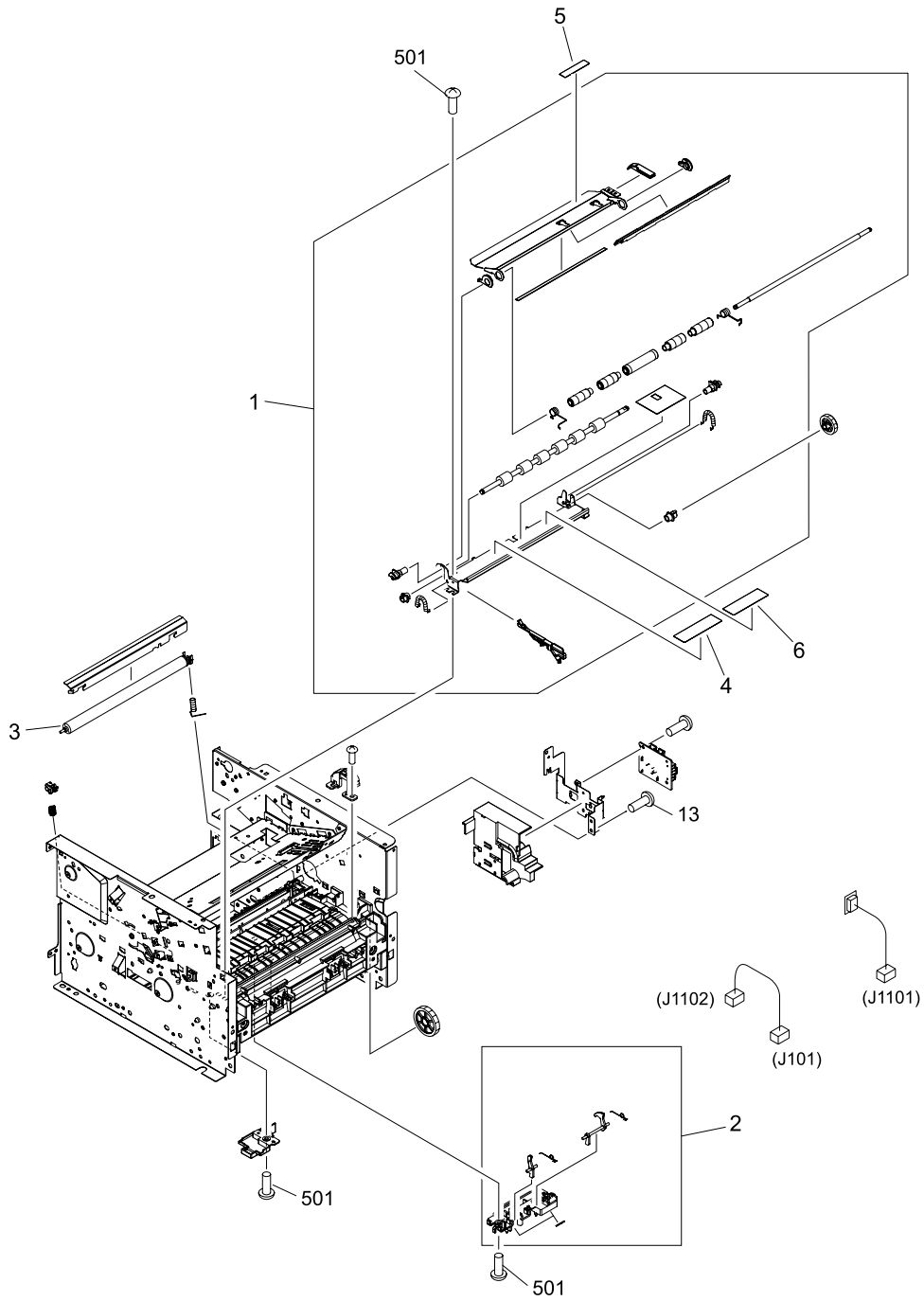


Figure 7-20 Internal components (3 of 4)

Table 7-15 Internal components (3 of 4)

Ref	Description	Part number	Qty
1	Registration assembly	RM1-1281-000CN	1
2	Top-sensor assembly	RM1-1283-000CN	1
3	Roller, transfer	RM1-1471-000CN	1
4	Label, clear jam	RC1-7528-000CN	1
5	Label, transfer guide open	RC1-3796-000CN	1
6	Label, Fixing (fusing) pressure release	RC1-7529-000CN	1
13	Screw, RS M3X6	XA9-1495-000CN	2
501	Screw, Tapping truss head M4X10	XB4-7401-005CN	9

Internal components (4 of 4)

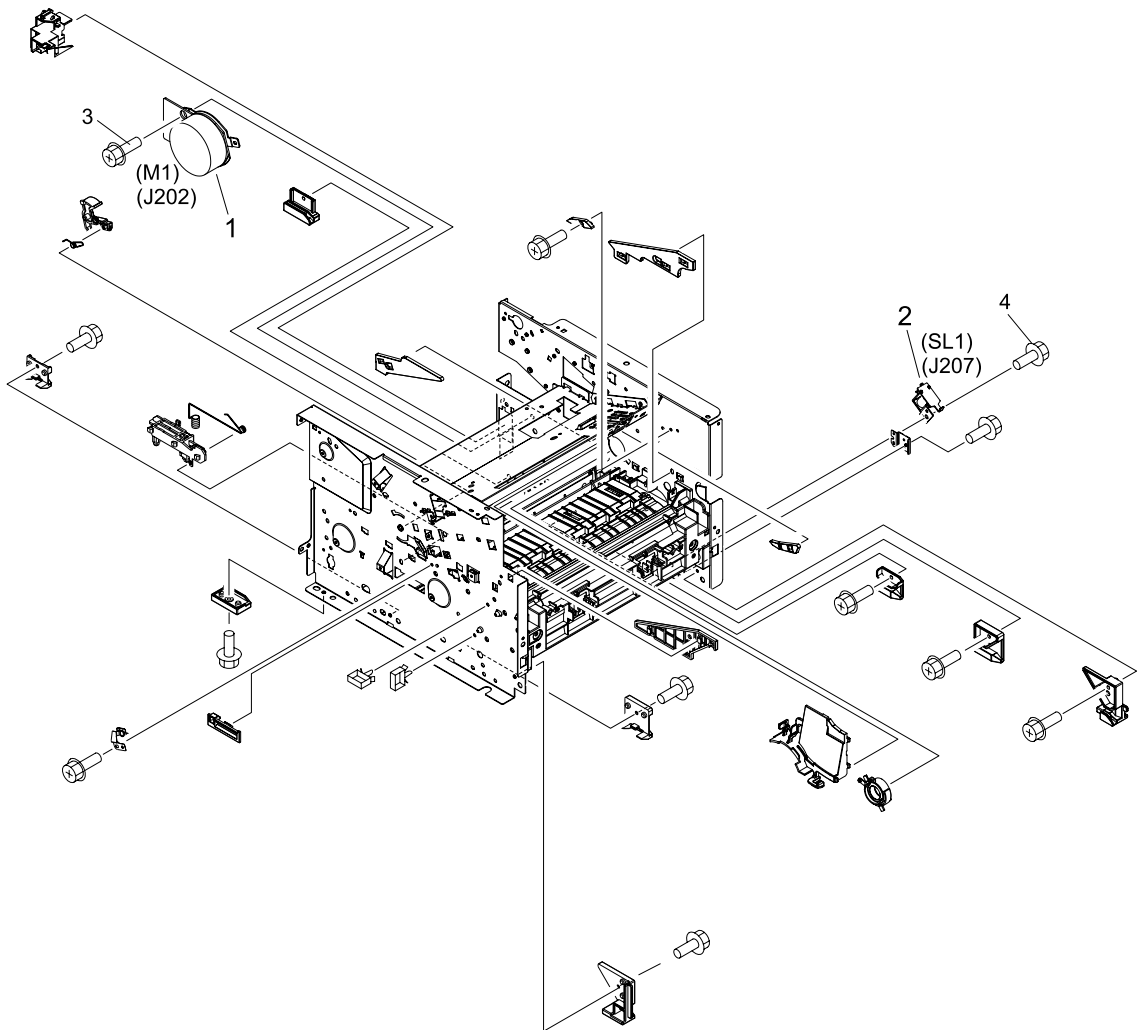


Figure 7-21 Internal components (4 of 4)

Table 7-16 Internal components (4 of 4)

Ref	Description	Part number	Qty
1	Motor, dc (M1)	RK2-0418-000CN	1
2	Solenoid (SL1)	RK2-0424-000CN	1
3	Screw, RS M3X8	XA9-1504-000CN	1
4	Screw, RS M3X6	XA9-1495-000CN	1

Engine-controller assembly

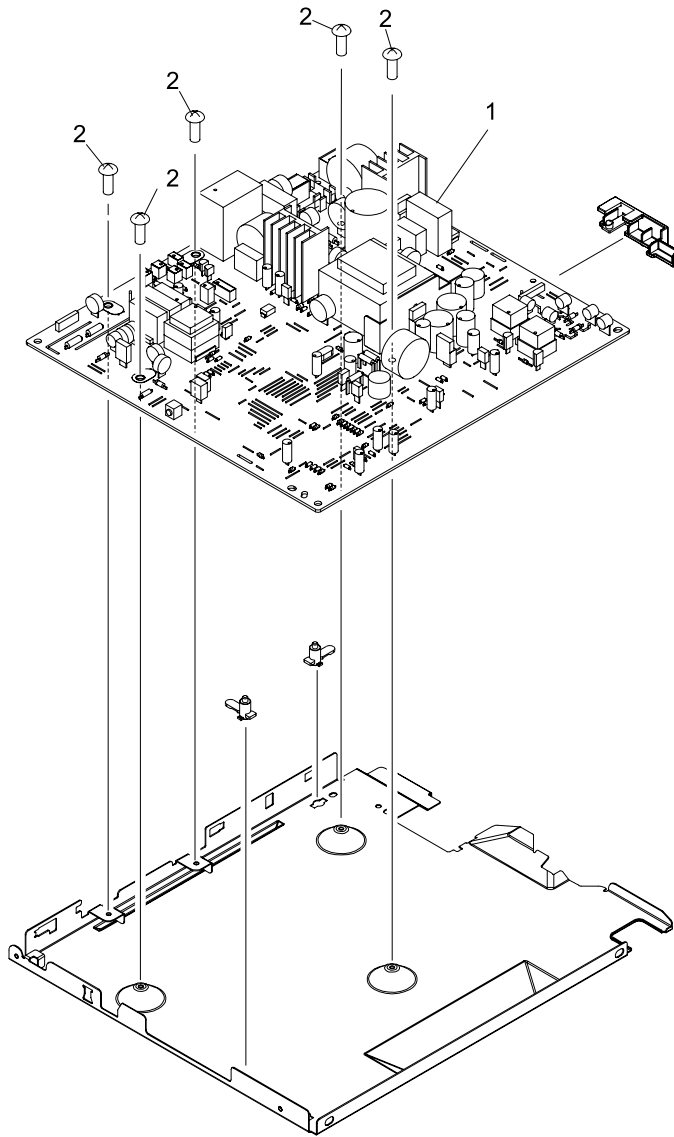


Figure 7-22 Engine-controller assembly

Table 7-17 Engine-controller assembly

Ref	Description	Part number	Qty
1	Engine-controller PCA (110 to 127 v)	RM1-2566-000CN	1
1	Engine-controller PCA (220 to 240 v)	RM1-2567-000CN	1
2	Screw, W/Washer M3X8	XA9-1420-000CN	5

Main-drive assembly

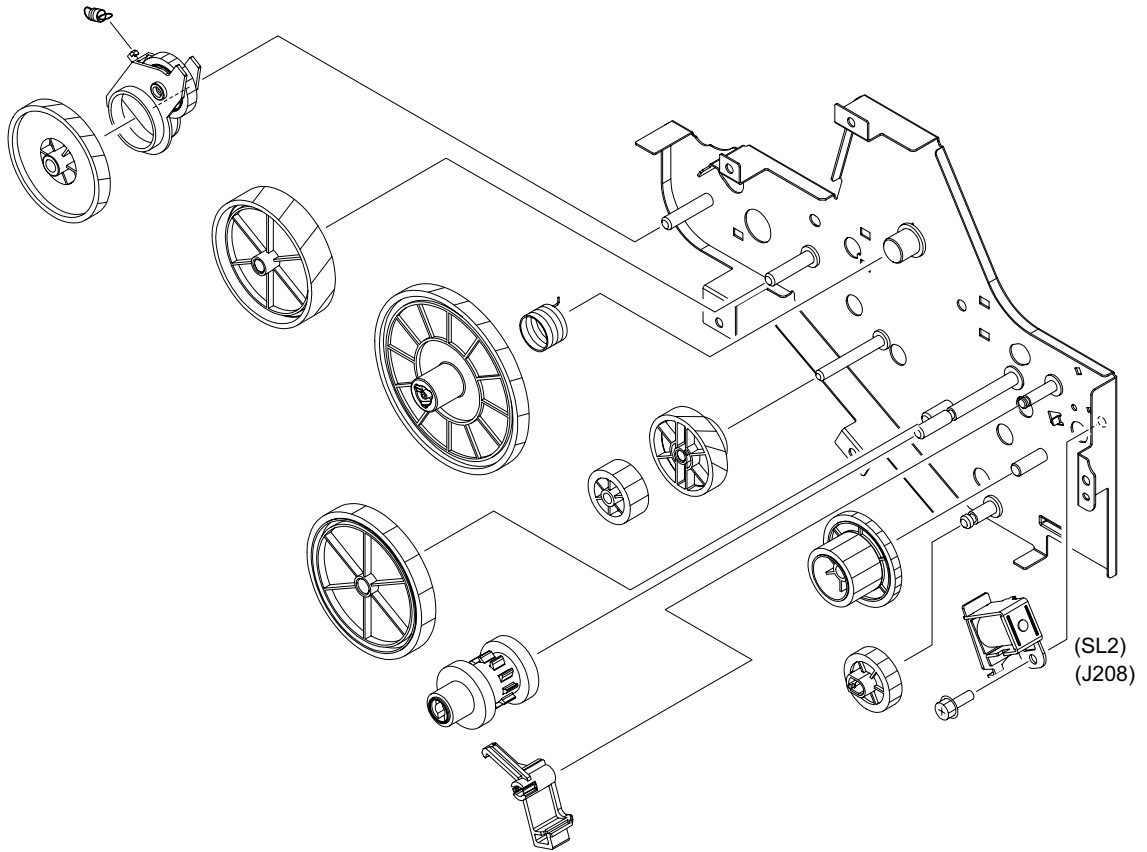


Figure 7-23 Main-drive assembly

Table 7-18 Main-drive assembly

Ref	Description	Part number	Qty
all	Main-drive assembly	RM1-1299-000CN	1

Duplexing-drive assembly

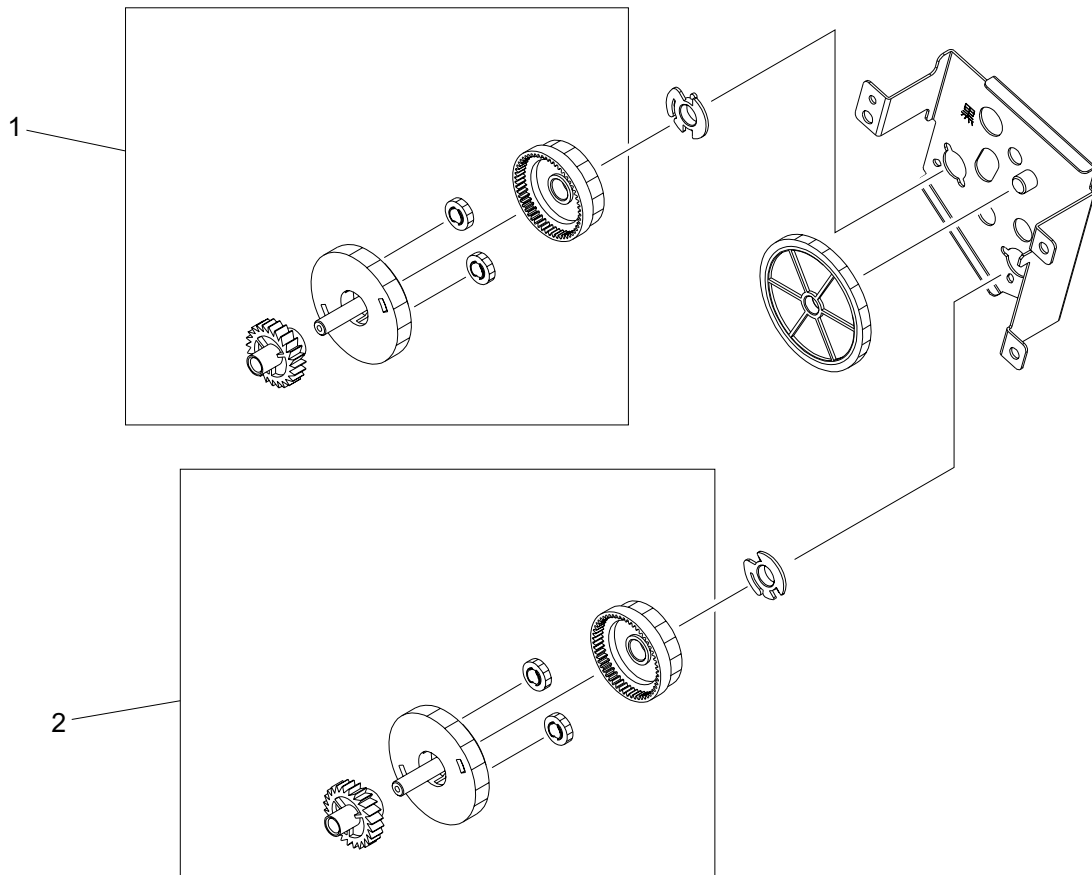
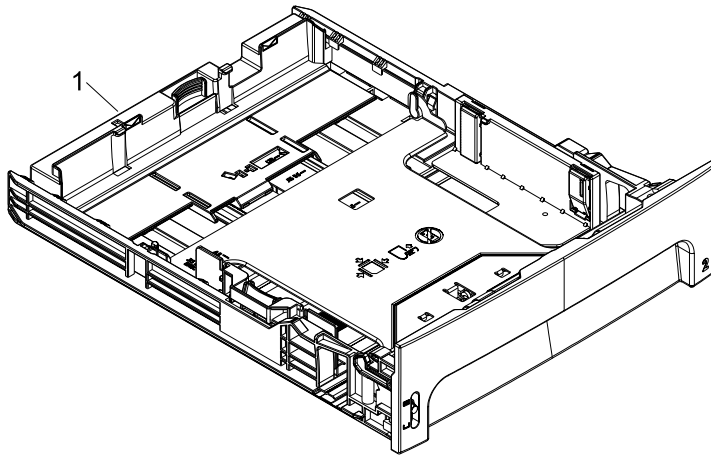


Figure 7-24 Duplexing-drive assembly

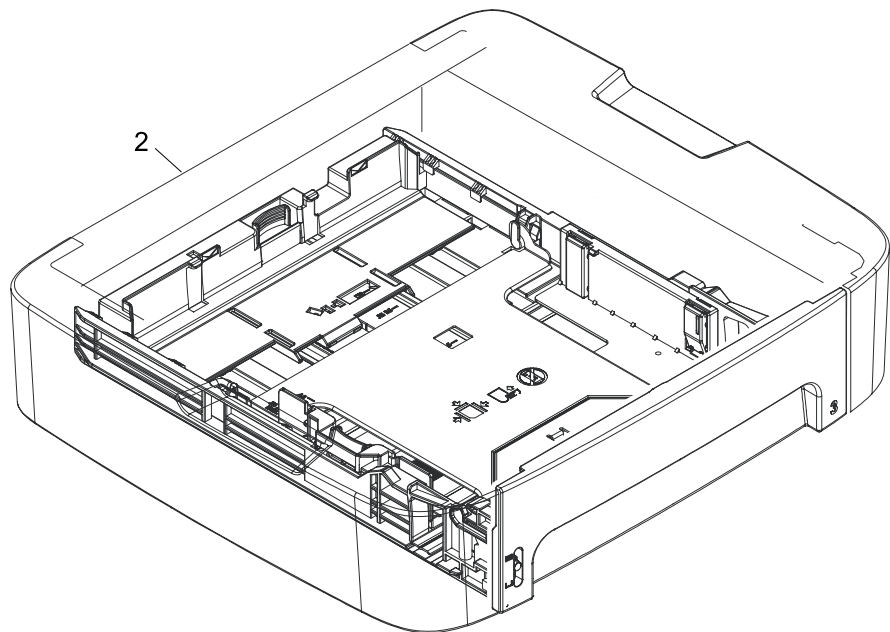
Table 7-19 Duplexing-drive assembly

Ref	Description	Part number	Qty
all	Duplexing-drive assembly	RM1-1302-000CN	1
1	Normal-rotation drive assembly	RM1-1303-000CN	1
2	Reverse-rotation drive assembly	RM1-1304-000CN	1

Tray 2 cassette and tray 3 cassette/feeder



Tray 2 cassette



Tray 3 cassette/feeder

Figure 7-25 Tray 2 cassette and tray 3 cassette/feeder

Table 7-20 Cassette, tray 2 (250-sheet)

Ref	Description	Part number	Qty
1	Cassette, tray 2 (250-sheet)	RM1-1292-000CN	1
2	Cassette/feeder, tray 3 (250-sheet)	Q7556-67901	1

Duplexing assembly

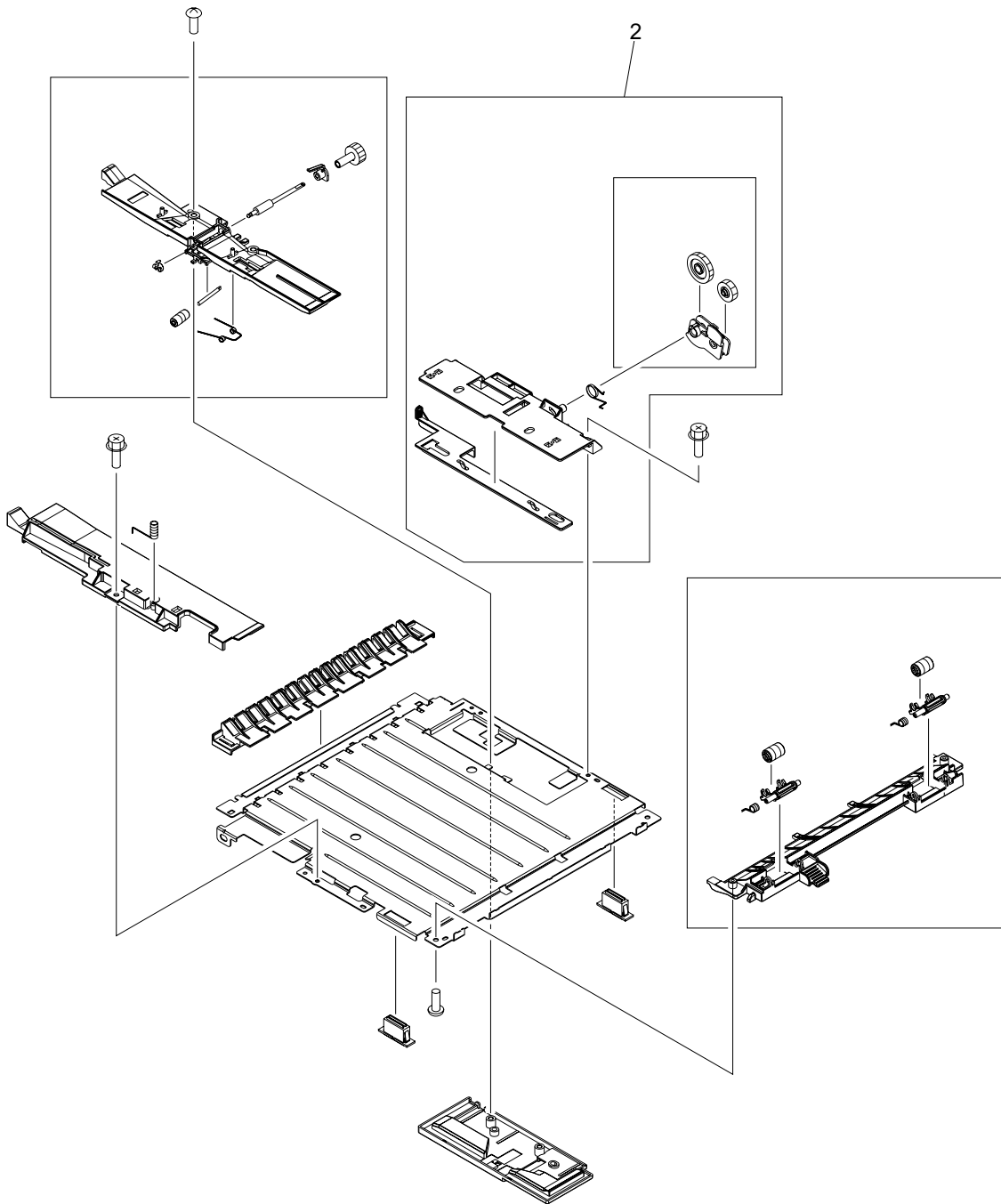


Figure 7-26 Duplexing assembly

Table 7-21 Duplexing assembly

Ref	Description	Part number	Qty
all	Duplexing assembly	RM1-1313-000CN	1
2	Size change assembly	RM1-1318-000CN	1

Fuser assembly

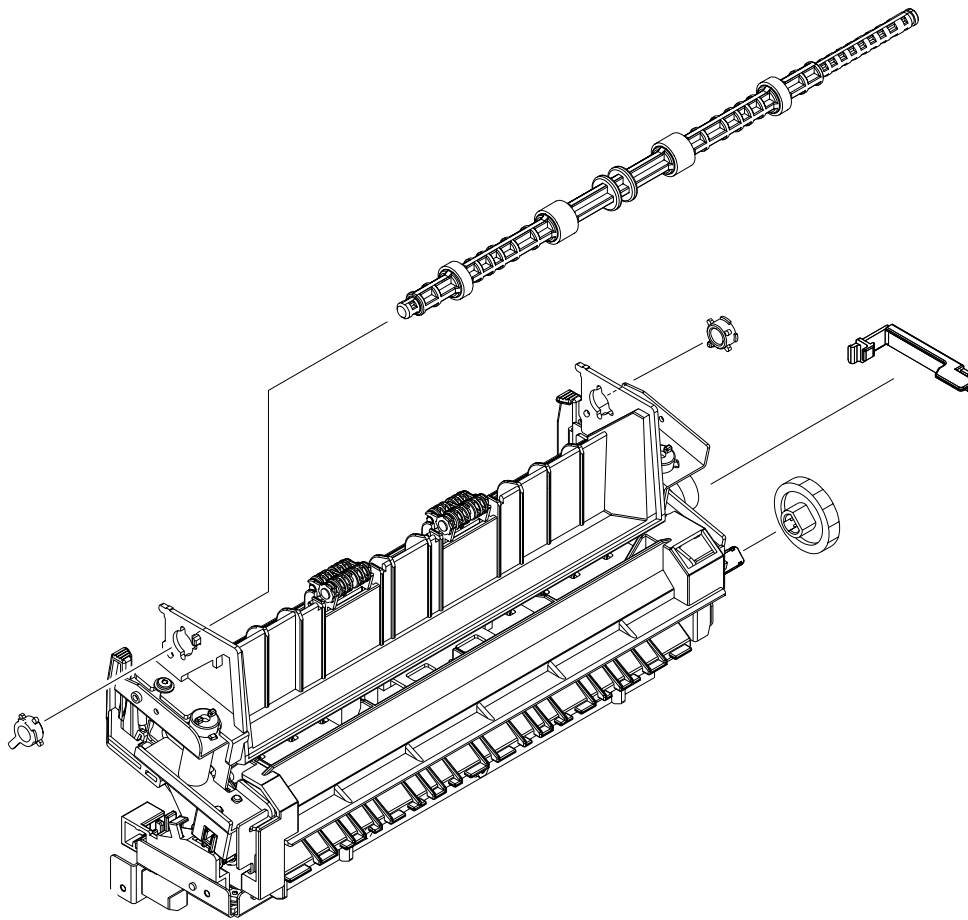


Figure 7-27 Fuser assembly

Table 7-22 Fuser assembly

Ref	Description	Part number	Qty
all	Fuser (110 to 127 v)	RM1-1289-000CN	1
all	Fuser (220 to 240 v)	RM1-1461-000CN	1

Alphabetical parts list

Table 7-23 Alphabetical parts list

Description	Part number	Table and page
ADF cleanout part	C7309-40153	ADF components on page 285
ADF cover replacement kit	Q6500-67901	ADF components on page 285
ADF flag replacement kit	Q3948-67902	ADF components on page 285
ADF hinge replacement kit	Q3948-67905	Scanner and ADF assemblies on page 281
ADF pickup roller assembly	5851-2559	ADF components on page 285
ADF PKG FGI ASSY (automatic document feeder)	Q6500-67903	Scanner and ADF assemblies on page 281
ADF separation pad	Q2665-60125	ADF components on page 285
ADF window replacement kit (HP LJ 3390/3392)	Q6500-67904	Scanner components on page 283
Arm, cam	RC1-3544-000CN	Internal components (2 of 4) on page 295
Arm, tag	RC1-3551-000CN	Internal components (2 of 4) on page 295
Bezel, control panel	See Control-panel bezels on page 262 .	Scanner components on page 283
Cassette, tray 2 (250-sheet)	RM1-1292-000CN	Cassette, tray 2 (250-sheet) on page 307
Cassette/feeder, tray 3 (250-sheet)	Q7556-67901	Cassette, tray 2 (250-sheet) on page 307
Control panel	Q6500-60104	Scanner components on page 283
Convenience stapler ac inlet cable HP LJ 3392	Q6501-60101	Convenience stapler components (HP LJ 3392 only) on page 287
Convenience stapler cassette (2-pack) HP LJ3392	Q7432-67001	Convenience stapler components (HP LJ 3392 only) on page 287
Convenience stapler cover door HP LJ 3392	RC1-7523-000CN	Convenience stapler components (HP LJ 3392 only) on page 287
Convenience stapler mechanism HP LJ 3392 (replacement)	Q7429-67101	Convenience stapler components (HP LJ 3392 only) on page 287
Convenience stapler power supply bracket and strap HP LJ 3392	Q6500-00006	Convenience stapler components (HP LJ 3392 only) on page 287
Convenience stapler power supply HP LJ 3392	Q7429-60501	Convenience stapler components (HP LJ 3392 only) on page 287

Table 7-23 Alphabetical parts list (continued)

Description	Part number	Table and page
Cover DIMM	RC1-7510-000CN	External covers and panels on page 291
Cover dummy (stapler plug; HP LJ 3390))	RC1-7512-000CN	External covers and panels on page 291
Cover left	RC1-7509-000CN	External covers and panels on page 291
Cover rear	RC1-3819-000CN	External covers and panels on page 291
Cover right	RC1-7511-000CN	External covers and panels on page 291
Cover top	RC1-7508-000CN	External covers and panels on page 291
Duplexing assembly	RM1-1313-000CN	Duplexing assembly on page 309
Duplexing-drive assembly	RM1-1302-000CN	Duplexing-drive assembly on page 305
Engine-controller PCA (110 to 127 v)	RM1-2566-000CN	Engine-controller assembly on page 301
Engine-controller PCA (220 to 240 v)	RM1-2567-000CN	Engine-controller assembly on page 301
Fan	RK2-0912-000CN	Internal components (2 of 4) on page 295
Flag, paper sensing	RC1-3472-000CN	Internal components (1 of 4) on page 293
Formatter PCA	Q6445-60001	Formatter, LIU, HP jewel, and nameplate on page 289
Front cover assembly	RM1-2643-000CN	External covers and panels on page 291
Fuser (110 to 127 v)	RM1-1289-000CN	Fuser assembly on page 311
Fuser (220 to 240 v)	RM1-1461-000CN	Fuser assembly on page 311
Gear, 19T	RU5-0332-000CN	Internal components (1 of 4) on page 293
Gear, 29T	RM1-1286-000CN	Internal components (1 of 4) on page 293
Guide, cartridge, front	RC1-3844-000CN	Internal components (2 of 4) on page 295
Guide, cartridge, left upper	RC1-3539-000CN	Internal components (2 of 4) on page 295
Guide, dc cable 2	RC1-3731-000CN	Internal components (1 of 4) on page 293
Holder, drawer	RC1-3728-000CN	Internal components (2 of 4) on page 295
Holder, fan	RC1-7514-000CN	Internal components (2 of 4) on page 295

Table 7-23 Alphabetical parts list (continued)

Description	Part number	Table and page
Holder, tag arm	RC1-35504-000CN	Internal components (2 of 4) on page 295
Input tray assembly LJ3390/3392	Q6500-60119	Scanner and ADF assemblies on page 281
Interlock assembly	RM1-2645-000CN	Internal components (2 of 4) on page 295
Jewel, HP	7121-8043	Formatter, LIU, HP jewel, and nameplate on page 289
Label, clear jam	RC1-7528-000CN	Internal components (3 of 4) on page 297
Label, Fixing (fusing) pressure release	RC1-7529-000CN	Internal components (3 of 4) on page 297
Label, stapler prohibition	RC1-3794-000CN	External covers and panels on page 291
Label, transfer guide open	RC1-3796-000CN	Internal components (3 of 4) on page 297
LIU (line interface unit) EMEA non ROHS	Q3978-60002	Formatter, LIU, HP jewel, and nameplate on page 289
LIU (line interface unit) US/WW non ROHS	Q3977-60001	Formatter, LIU, HP jewel, and nameplate on page 289
LIU/Formatter FFC	Q6500-60111	Formatter, LIU, HP jewel, and nameplate on page 289
Main-drive assembly	RM1-1299-000CN	Main-drive assembly on page 303
Motor, dc (M1)	RK2-0418-000CN	Internal components (4 of 4) on page 299
Nameplate HP LJ 3390	Q6500-4000X	Formatter, LIU, HP jewel, and nameplate on page 289
Nameplate HP LJ 3392	Q6501-4000X	Formatter, LIU, HP jewel, and nameplate on page 289
Normal-rotation drive assembly	RM1-1303-000CN	Duplexing-drive assembly on page 305
Paper-feed guide assembly	RM1-1286-000CN	Internal components (1 of 4) on page 293
Paper-pickup gear assembly	RM1-1301-000CN	Internal components (1 of 4) on page 293
Paper-retaining assembly	RM1-1306-000CN	Internal components (1 of 4) on page 293
Rear cover assembly	RM1-1308-000CN	External covers and panels on page 291
Registration assembly	RM1-1281-000CN	Internal components (3 of 4) on page 297
Reverse-rotation drive assembly	RM1-1304-000CN	Duplexing-drive assembly on page 305

Table 7-23 Alphabetical parts list (continued)

Description	Part number	Table and page
Roller, face down	RL1-0527-000CN	Internal components (1 of 4) on page 293
Roller, paper pickup	RL1-0540-000CN	Internal components (1 of 4) on page 293
Roller, paper-pickup idler	RC1-3470-000CN	Internal components (1 of 4) on page 293
Roller, transfer	RM1-1471-000CN	Internal components (3 of 4) on page 297
Scanner assembly (laser/scanner)	RM1-1470-000CN	Internal components (2 of 4) on page 295
Screw, RS 3X6	XA9-1495-000CN	Internal components (1 of 4) on page 293
Screw, RS M3X6	XA9-1495-000CN	Internal components (2 of 4) on page 295
Screw, RS M3X6	XA9-1495-000CN	Internal components (3 of 4) on page 297
Screw, RS M3X6	XA9-1495-000CN	Internal components (4 of 4) on page 299
Screw, RS M3X8	XA9-1504-000CN	Internal components (1 of 4) on page 293
Screw, RS M3X8	XA9-1504-000CN	Internal components (2 of 4) on page 295
Screw, RS M3X8	XA9-1504-000CN	Internal components (4 of 4) on page 299
Screw, Tap 3X6	XA9-1503-000CN	Internal components (1 of 4) on page 293
Screw, Tap M3X6	XA9-1503-000CN	Internal components (2 of 4) on page 295
Screw, Tapping truss head M4X10	XB4-5300-805CN	Internal components (1 of 4) on page 293
Screw, Tapping truss head M4X10	XB4-7401-005CN	Internal components (2 of 4) on page 295
Screw, Tapping truss head M4X10	XB4-7401-005CN	Internal components (3 of 4) on page 297
Screw, W/Washer M3X8	XB4-5300-805CN	Internal components (1 of 4) on page 293
Screw, W/Washer M3X8	XA9-1420-000CN	Engine-controller assembly on page 301
Size change assembly	RM1-1318-000CN	Duplexing assembly on page 309
Solenoid	RK2-0910-000CN	Internal components (1 of 4) on page 293
Solenoid (SL1)	RK2-0424-000CN	Internal components (4 of 4) on page 299

Table 7-23 Alphabetical parts list (continued)

Description	Part number	Table and page
Speaker assembly	RM1-2571-000CN	Internal components (2 of 4) on page 295
Spring, compression	RU5-2323-000CN	Internal components (1 of 4) on page 293
Spring, compression	RU5-2335-000CN	Internal components (2 of 4) on page 295
SSA PKG FGI ASSY (scanner flatbed assembly)	Q3948-67905	Scanner and ADF assemblies on page 281
Top-sensor assembly	RM1-1283-000CN	Internal components (3 of 4) on page 297

Numerical parts list

Table 7-24 Numerical parts list

Part number	Description	Table and page
5851-2559	ADF pickup roller assembly	ADF components on page 285
7121-8043	Jewel, HP	Formatter, LIU, HP jewel, and nameplate on page 289
C7309-40153	ADF cleanout part	ADF components on page 285
Q2665-60125	ADF separation pad	ADF components on page 285
Q3948-67902	ADF flag replacement kit	ADF components on page 285
Q3948-67905	ADF hinge replacement kit	Scanner and ADF assemblies on page 281
Q3948-67905	SSA PKG FGI ASSY (scanner flatbed assembly)	Scanner and ADF assemblies on page 281
Q3977-60001	LIU (line interface unit) US/WW non ROHS	Formatter, LIU, HP jewel, and nameplate on page 289
Q3978-60002	LIU (line interface unit) EMEA non ROHS	Formatter, LIU, HP jewel, and nameplate on page 289
Q6445-60001	Formatter PCA	Formatter, LIU, HP jewel, and nameplate on page 289
Q6500-00006	Convenience stapler power supply bracket and strap HP LJ 3392	Convenience stapler components (HP LJ 3392 only) on page 287
Q6500-4000X	Nameplate HP LJ 3390	Formatter, LIU, HP jewel, and nameplate on page 289
Q6500-60111	LIU/Formatter FFC	Formatter, LIU, HP jewel, and nameplate on page 289
Q6500-60119	Input tray assembly LJ3390/3392	Scanner and ADF assemblies on page 281
Q6500-67901	ADF cover replacement kit	ADF components on page 285
Q6500-67903	ADF PKG FGI ASSY (automatic document feeder)	Scanner and ADF assemblies on page 281
Q6500-67904	ADF window replacement kit (HP LJ 3390/3392)	Scanner components on page 283
Q6500-60104	Control panel	Scanner components on page 283
Q6501-4000X	Nameplate HP LJ 3392	Formatter, LIU, HP jewel, and nameplate on page 289
Q6501-60101	Convenience stapler ac inlet cable HP LJ 3392	Convenience stapler components (HP LJ 3392 only) on page 287
Q7429-60501	Convenience stapler power supply HP LJ 3392	Convenience stapler components (HP LJ 3392 only) on page 287

Table 7-24 Numerical parts list (continued)

Part number	Description	Table and page
Q7429-67101	Convenience stapler mechanism HP LJ 3392 (replacement)	Convenience stapler components (HP LJ 3392 only) on page 287
Q7432-67001	Convenience stapler cassette (2-pack) HP LJ3392	Convenience stapler components (HP LJ 3392 only) on page 287
Q7556-67901	Cassette/feeder, tray 3 (250-sheet)	Cassette, tray 2 (250-sheet) on page 307
RC1-3470-000CN	Roller, paper-pickup idler	Internal components (1 of 4) on page 293
RC1-3472-000CN	Flag, paper sensing	Internal components (1 of 4) on page 293
RC1-3539-000CN	Guide, cartridge, left upper	Internal components (2 of 4) on page 295
RC1-3544-000CN	Arm, cam	Internal components (2 of 4) on page 295
RC1-35504-000CN	Holder, tag arm	Internal components (2 of 4) on page 295
RC1-3551-000CN	Arm, tag	Internal components (2 of 4) on page 295
RC1-3728-000CN	Holder, drawer	Internal components (2 of 4) on page 295
RC1-3731-000CN	Guide, dc cable 2	Internal components (1 of 4) on page 293
RC1-3794-000CN	Label, stapler prohibition	External covers and panels on page 291
RC1-3796-000CN	Label, transfer guide open	Internal components (3 of 4) on page 297
RC1-3819-000CN	Cover rear	External covers and panels on page 291
RC1-3844-000CN	Guide, cartridge, front	Internal components (2 of 4) on page 295
RC1-7508-000CN	Cover top	External covers and panels on page 291
RC1-7509-000CN	Cover left	External covers and panels on page 291
RC1-7510-000CN	Cover DIMM	External covers and panels on page 291
RC1-7511-000CN	Cover right	External covers and panels on page 291
RC1-7512-000CN	Cover dummy (stapler plug; HP LJ 3390)	External covers and panels on page 291
RC1-7514-000CN	Holder, fan	Internal components (2 of 4) on page 295

Table 7-24 Numerical parts list (continued)

Part number	Description	Table and page
RC1-7523-000CN	Convenience stapler cover door HP LJ 3392	Convenience stapler components (HP LJ 3392 only) on page 287
RC1-7528-000CN	Label, clear jam	Internal components (3 of 4) on page 297
RC1-7529-000CN	Label, Fixing (fusing) pressure release	Internal components (3 of 4) on page 297
RK2-0418-000CN	Motor, dc (M1)	Internal components (4 of 4) on page 299
RK2-0424-000CN	Solenoid (SL1)	Internal components (4 of 4) on page 299
RK2-0910-000CN	Solenoid	Internal components (1 of 4) on page 293
RK2-0912-000CN	Fan	Internal components (2 of 4) on page 295
RL1-0527-000CN	Roller, face down	Internal components (1 of 4) on page 293
RL1-0540-000CN	Roller, paper pickup	Internal components (1 of 4) on page 293
RM1-1281-000CN	Registration assembly	Internal components (3 of 4) on page 297
RM1-1283-000CN	Top-sensor assembly	Internal components (3 of 4) on page 297
RM1-1286-000CN	Paper-feed guide assembly	Internal components (1 of 4) on page 293
RM1-1286-000CN	Gear, 29T	Internal components (1 of 4) on page 293
RM1-1289-000CN	Fuser (110 to 127 v)	Fuser assembly on page 311
RM1-1292-000CN	Cassette, tray 2 (250-sheet)	Cassette, tray 2 (250-sheet) on page 307
RM1-1299-000CN	Main-drive assembly	Main-drive assembly on page 303
RM1-1301-000CN	Paper-pickup gear assembly	Internal components (1 of 4) on page 293
RM1-1302-000CN	Duplexing-drive assembly	Duplexing-drive assembly on page 305
RM1-1303-000CN	Normal-rotation drive assembly	Duplexing-drive assembly on page 305
RM1-1304-000CN	Reverse-rotation drive assembly	Duplexing-drive assembly on page 305
RM1-1306-000CN	Paper-retaining assembly	Internal components (1 of 4) on page 293
RM1-1308-000CN	Rear cover assembly	External covers and panels on page 291

Table 7-24 Numerical parts list (continued)

Part number	Description	Table and page
RM1-1313-000CN	Duplexing assembly	Duplexing assembly on page 309
RM1-1318-000CN	Size change assembly	Duplexing assembly on page 309
RM1-1461-000CN	Fuser (220 to 240 v)	Fuser assembly on page 311
RM1-1470-000CN	Scanner assembly (laser/scanner)	Internal components (2 of 4) on page 295
RM1-1471-000CN	Roller, transfer	Internal components (3 of 4) on page 297
RM1-2566-000CN	Engine-controller PCA (110 to 127 v)	Engine-controller assembly on page 301
RM1-2567-000CN	Engine-controller PCA (220 to 240 v)	Engine-controller assembly on page 301
RM1-2571-000CN	Speaker assembly	Internal components (2 of 4) on page 295
RM1-2643-000CN	Front cover assembly	External covers and panels on page 291
RM1-2645-000CN	Interlock assembly	Internal components (2 of 4) on page 295
RU5-0332-000CN	Gear, 19T	Internal components (1 of 4) on page 293
RU5-2323-000CN	Spring, compression	Internal components (1 of 4) on page 293
RU5-2335-000CN	Spring, compression	Internal components (2 of 4) on page 295
See Control-panel bezels on page 262 .	Bezel, control panel	Scanner components on page 283
XA9-1420-000CN	Screw, W/Washer M3X8	Engine-controller assembly on page 301
XA9-1495-000CN	Screw, RS 3X6	Internal components (1 of 4) on page 293
XA9-1495-000CN	Screw, RS M3X6	Internal components (2 of 4) on page 295
XA9-1495-000CN	Screw, RS M3X6	Internal components (3 of 4) on page 297
XA9-1495-000CN	Screw, RS M3X6	Internal components (4 of 4) on page 299
XA9-1503-000CN	Screw, Tap 3X6	Internal components (1 of 4) on page 293
XA9-1503-000CN	Screw, Tap M3X6	Internal components (2 of 4) on page 295
XA9-1504-000CN	Screw, RS M3X8	Internal components (1 of 4) on page 293

Table 7-24 Numerical parts list (continued)

Part number	Description	Table and page
XA9-1504-000CN	Screw, RS M3X8	Internal components (2 of 4) on page 295
XA9-1504-000CN	Screw, RS M3X8	Internal components (4 of 4) on page 299
XB4-5300-805CN	Screw, W/Washer M3X8	Internal components (1 of 4) on page 293
XB4-5300-805CN	Screw, Tapping truss head M4X10	Internal components (1 of 4) on page 293
XB4-7401-005CN	Screw, Tapping truss head M4X10	Internal components (2 of 4) on page 295
XB4-7401-005CN	Screw, Tapping truss head M4X10	Internal components (3 of 4) on page 297

